

Special fittings and accessories for patient hoist

+ = especially recommendable

Seat

1 Seat for patient hoist Elli 700 part-no. ZL4301

+ consisting of:

Seat equipment with Elli-coupling, for nursing tubs with a depth up to 500 mm and 180° swiveling back- and armrest. Seatsurface made of white plastic, removeable, arm- and back upholstery made of integralfoam, incl. 1 safety belt for patient. All metal parts are plastic covered.

2 Seat for patient hoist Elli-Variant and Elli-Stand part-no. ZL4001

+ consisting of:

Seat equipment with Elli-coupling, for nursing tubs with a depth up to 600 mm and 180° swiveling back- and armrest. Seatsurface made of white plastic, removeable, arm- and back upholstery made of integralfoam, incl. 1 safety belt for patient. All metal parts are plastic covered.



3 Seat for Pooli part-no. ZL4101

+ for 1100 mm stroke, consisting of:

180° swiveling back- and armrest. Seatsurface made of white plastic, removeable, arm- and back upholstery made of integralfoam, incl. 1 safety belt for patient. All metal parts are plastic covered.

4 Seat for Pooli part-no. ZL4201

special construction for 1300 mm stroke, consisting of: 180° swiveling back- and armrest. Seatsurface made of white plastic, removeable, arm- and back upholstery made of integralfoam, incl. 1 safety belt for patient. All metal parts are plastic covered.

6 Seat covering part-no. ZL4017

cover for seat

7 Extra charge for seat part-no. ZL4106

with toilet opening, ca. Ø 200mm

8 Extra charge for seat part-no. ZL4105

with toilet opening, ca. 115 x 330 mm

9 seat/couch suspension for wall part-no. ZL4215

+ helps to change without energy involved

10 wall suspension for Pooli seat part-no. ZL4212

+ helps to change without energy involved

12 Mounting support for bedpan part-no. ZL4019

only with pos. 7 available

20 Couch for patient hoist Elli part-no. ZL4302

+ consisting of:

Couchequipment with Elli-coupling for nursing tubs with a depth up to 500 mm, back- and footpart adjustable. Upholstery mouted with suckers. For storage the back- and footpart can fold down. Incl. one safety belt for the body and one for the legs. One neck cushion. All metalparts are plastic coated.

21 Couch for patient hoist Elli-Variant and

+ Elli-Stand Teile-Nr. ZL4002

consisting of:

Couchequipment with Elli-coupling for nursing tubs with a depth up to 600 mm, back- and footpart adjustable. Upholstery mouted with suckers. For storage the back- and footpart can fold down. Incl. one safety belt for the body and one for the legs. One neck cushion. All metalparts are plastic coated.



4

22 Couch for Pooli part-no. ZL4103

+ for 1100 mm stroke, consisting of:

Couch with clutch for Pooli, made of GFK with fix shaped backrest, color white with inflatable head cushion.

Dimensiones: approx. 1700 x 600mm

All metalparts plastic coated.

23 Couch for Pooli part-no. ZL4203

+ special construction for 1300 mm stroke, consisting of:

Couch with clutch for Pooli, made of GFK with fix shaped backrest, color white with inflatable head cushion.

Dimensiones: approx. 1700 x 600mm

All metalparts plastic coated.

24 Seat/couch suspension for wall part-no. ZL4215

+ helps to change without energy involved



25 Wall suspension for Pooli couch part-no. ZL4212

+ helps to change without energy involved

Technical details subject to change

Extension arm

- 40 **Extension arm part-no. ZL4004**
+ with Elli-coupling for 3-piece-belt-system or sling, with swiveling bar and steering handles.
- 41 **Patient scales with digital display part-no. ZL4255**
for weighing of the patient with seat, coach or belt-system.
The scale is mounted in the lift system of the ELLI with a housing in ST-Design. 6 x 1,5 AAA cells are included.
Functions:
Start key
Selection key Kg / lbs
TARA
Hold key
Maximum weight: 150 Kg
Readout-precision: 100 g



- 42 **3-piece-belt-system part-no. ZL4006**
+ consisting of: 2 thigh straps 1160 mm length, 1 shoulder-back strap 1010 mm length, in each case with loops for easy hang up, material Aerotex white.
- 43 **Sling in U-shape part-no. ZL4026**
made of Aerotex, white, with 4 loops for an individual taking up of the patient.



- 44 **Sling in U-shape with head belt part-no. ZL4040**
made of Aerotex, white, with 4 loops for an individual taking up of the patient.
- 45 **Head belt with loops part-no. ZL4022**

Pooli

- 50 **extra charge for reinforced swivel column part-no. ZL4028**
for height alteration of Pooli II and Pooli III
- 51 **extra charge for hoist stroke (300 mm) part-no. ZL4029**
for Pooli II and Pooli III
- 52 **extra charge for extension arm part-no. ZL4030**
for Pooli II and Pooli III as well as Elli-Stand
- 53 **insulating flange for Pooli II part-no. ZL 4038**
consisting of:
1 stainless-steel flange 470 x 500mm with clamp bolts, nuts and clamp rail. Flange with melted lead through units and O-washer.
4 chemical anchors M14 x 180mm and nuts.
4 sleeves and thread rod M14, washers, nuts, mounting sleeves and fixation metal sheet.

Technical details subject to change

Transfer hoist
model Elli
type 700
part-no. AL4020

for exchangeable coach and seat. GS execution for max. load 150 kg. DGBM protected.

consisting of:

drive carriage with two caster wheels, front \varnothing 75, back \varnothing 100 with brake device.

Extension arm with plastic guards and two turn-at-all-wheels.

Lifting system with electro-mechanical jog-free height adjustment, 700 mm lift with electronic switch-off. Working range 0 - 700 mm possible without conversion.

Suitable for all tub systems and all brands.

Mobile remote control with magnet holder. Currentless air-drive controller to activate electrical control for lifting and lowering "up - down". Battery storage capacity 9,5 Ah, batteries maintenance-free and discharge-protected. Only 1 - 2 loading cycles per week according to frequency of use. Integrated charging system, electronically controlled overload protection and charge monitor lamp. Connection cable 1,5 m. Coupling system with mechanical safety device to prevent unintentional unlocking.

All metal parts plastic coated lightgrey RAL 7035, hood made of GfK-plastic in blue.

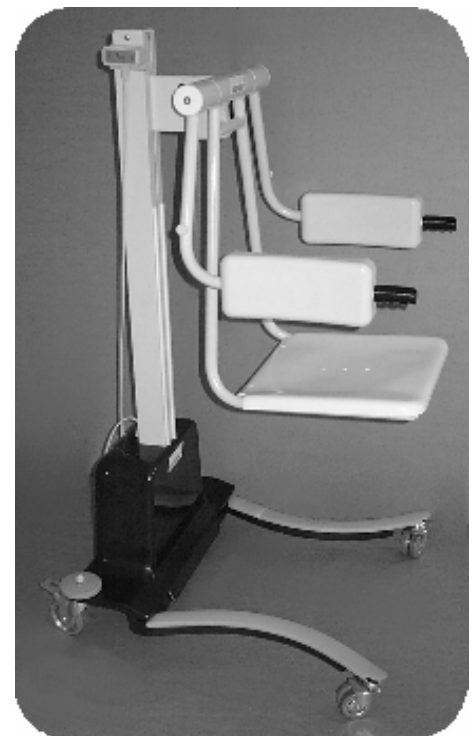
2 elastic guards on the hoist column to protect the tub.

The following part is production line included:

Part-no. SL0170

Charging system electronic controlled with protection against overcharging and charge monitor lamp, including 1,5m power cable.

Accessories: see overview sheet 08.04.01 and 08.04.02 special fittings and accessories.

**4**

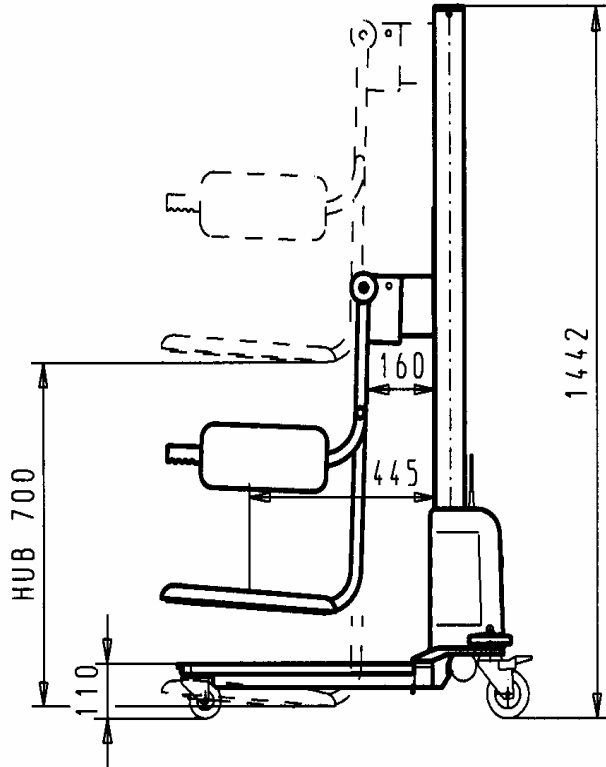
Technical details subject to change

Trautwein GmbH, 79312 Emmendingen

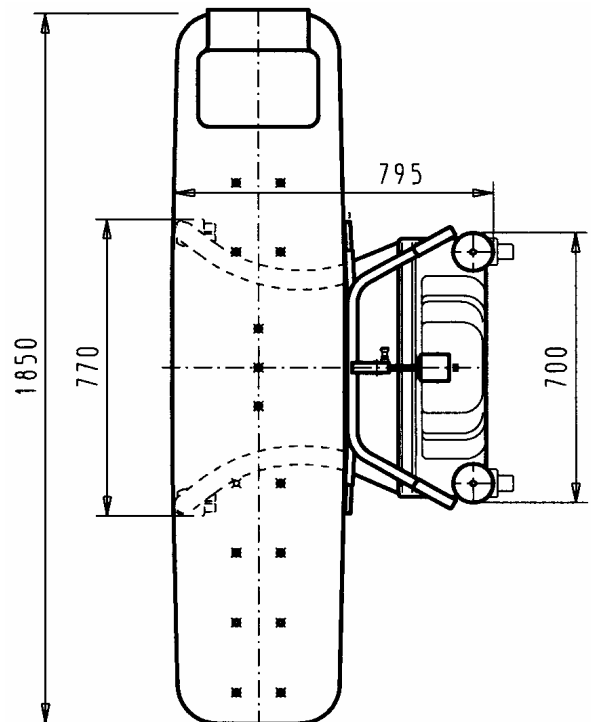
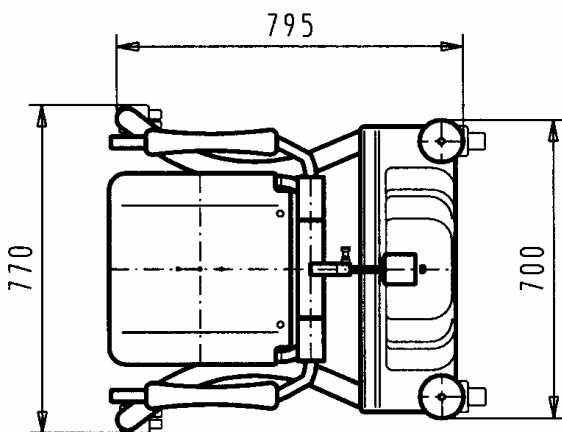
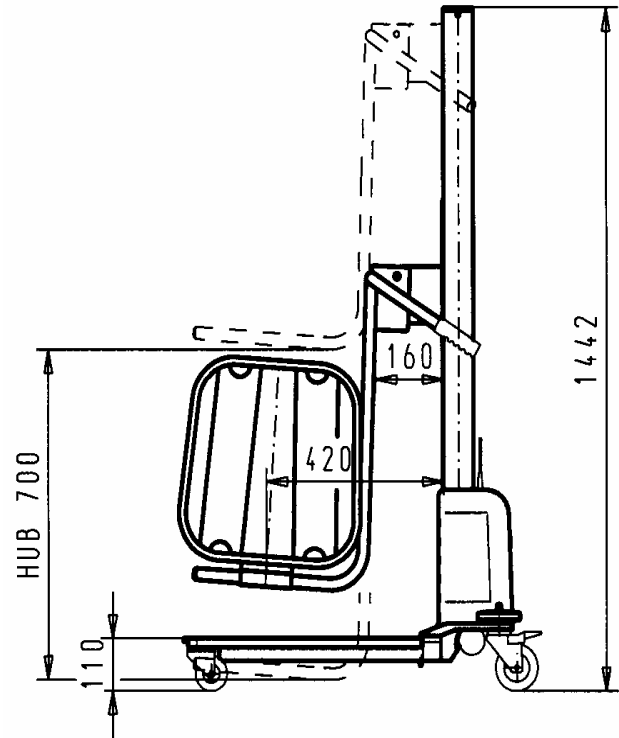
Tel.: 07641/4677-30 Fax: 07641/4677-70
Internet: <http://www.trautwein-gmbh.com>

08.04.03

Transfer hoist
modell Elli
type 700
with seat



Transfer hoist
modell Elli
type 700
with couch



Technical details subject to change

Transfer hoist
model Elli Variant
type 1000
part-no. AL4010

for exchangeable coach and seat, three-piece belt system and sling. GS execution for max. load 150 kg. DGBM protected.

consisting of:

drive carriage with two caster wheels, front \varnothing 75, back \varnothing 100 with brake device.

Adjustable extension arms, outside dimension max. 1050 mm and inside dimension min. 530 mm with plastic guards and two turn-at-all-wheels.

Lifting system with electro-mechanical jog-free height adjustment, 1000 mm lift with electronic switch-off. Working range 0 - 1000 mm possible without conversion.

Suitable for all tub systems and all brands.

Mobile remote control with magnet holder. Currentless air-drive controller to activate electrical control for lifting and lowering „up - down“. Battery storage capacity 9,5 Ah, batteries maintenance-free and discharge-protected. Only 1 - 2 loading cycles per week according to frequency of use. Integrated charging system, electronically controlled overload protection and charge monitor lamp. Connection cable 1,5 m. Coupling system with mechanical safety device to prevent unintentional unlocking.

All metal parts plastic coated lightgrey RAL 7035, hood made of GfK-plastic in blue.

2 elastic guards on the hoist column to protect the tub.

The following part is production line included:

Part-no. SL0170

Charging system electronic controlled with protection against overcharging and charge monitor lamp, including 1,5m power cable.

Accessories: see overview sheet 08.04.01 and 08.04.02 special fittings and accessories

**4**

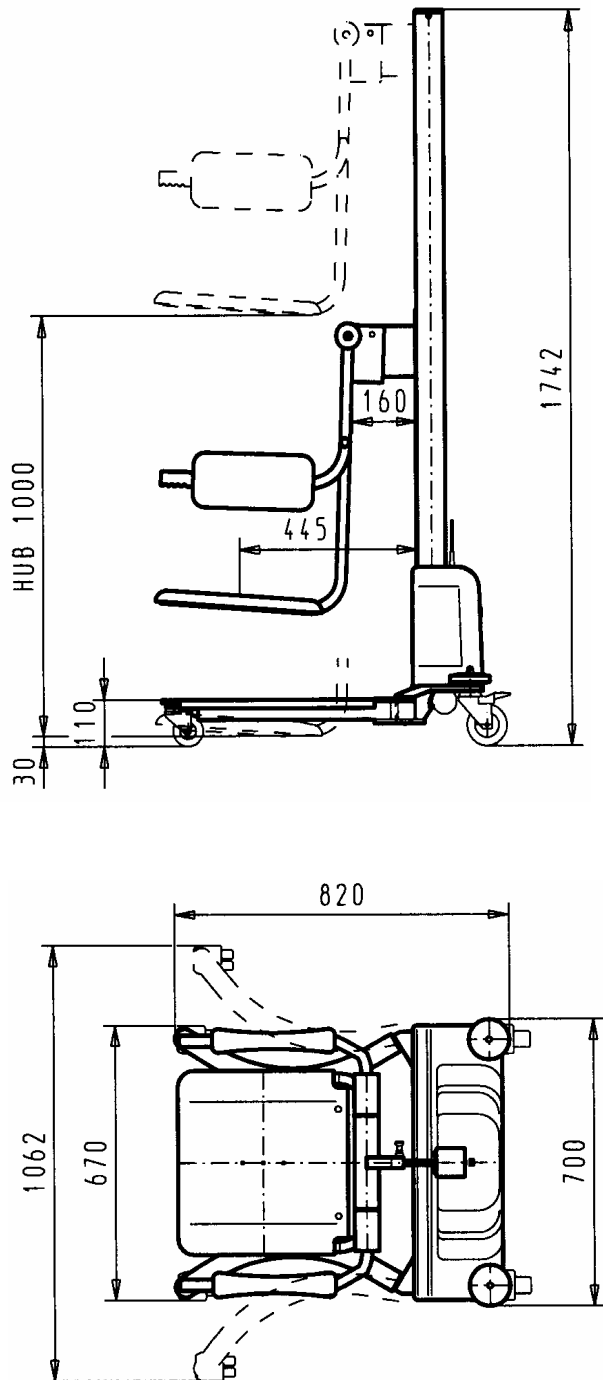
Technical details subject to change

Trautwein GmbH, 79312 Emmendingen

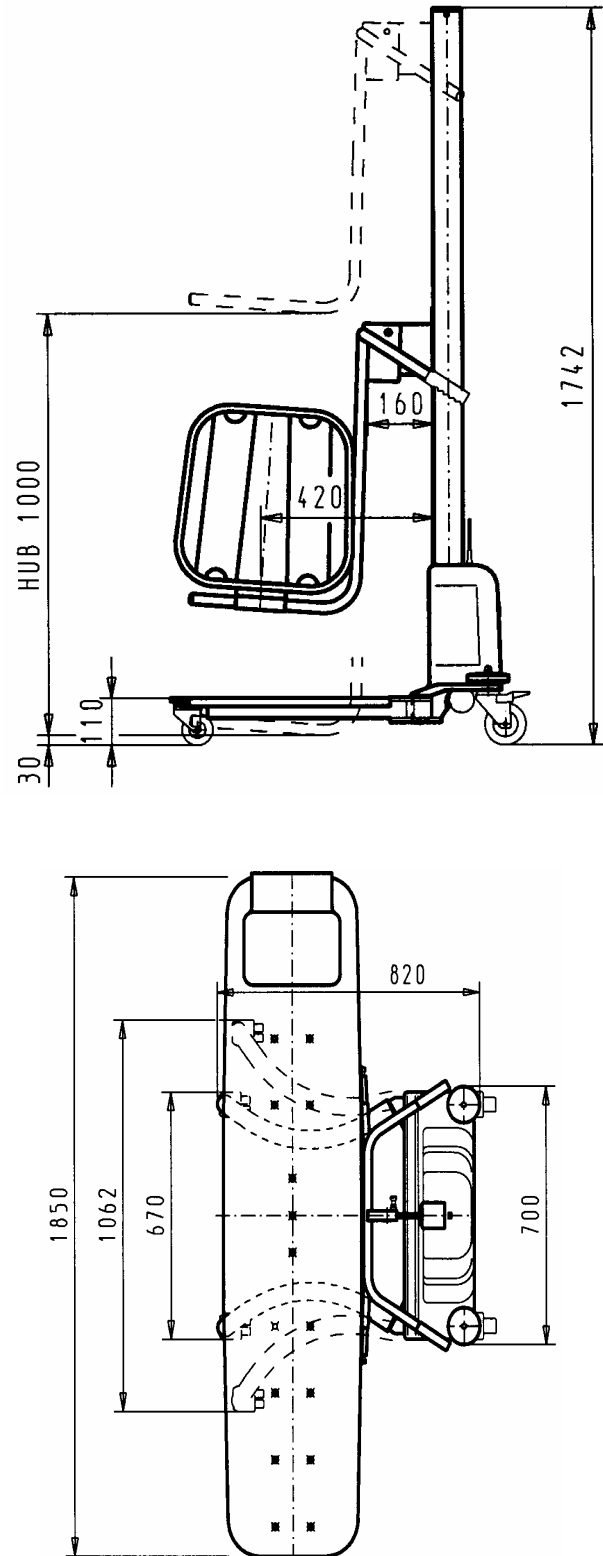
Tel.: 07641/4677-30 Fax: 07641/4677-70
Internet: <http://www.trautwein-gmbh.com>

08.04.04

Transfer hoist
modell Elli
type 1000
with seat



Transfer hoist
modell Elli
type 1000
with couch



Technical details subject to change

Pool hoist
model Pooli II
type 1100
part-no. AL4060

for fixation purposes placed back from the pool edge, hoist for pools without parapet, however with overflow groove

consisting of:

- 1 hoist column 360° swivelling, with extension arm and joint 220° hinged, floor board made of V2A stainless steel with swivel column, extension 650 mm as standard, other extensions possible (extra charge).
- 1 Lifting system for exchangeable coach and seat with electro-mechanical jog-free height adjustment, 1100 mm standard lift with electronic switch-off.
- 1 Mobile remote control with magnet holder. Currentless air-drive controller to activate electrical control for lifting and lowering „up - down“.
- 2 Batteries with 3 Ah storage capacity each, maintenance-free and discharge-protected. Only 1 - 2 loading cycles per week according to frequency of use.
- 1 Battery charger 230 V/24 V, water-proof, IP 65, electronically controlled overload protection and charge monitor lamp.
Cable length 24 V: 2,5 m
Cable length 230 V: 1,9 m
- 4 Chemical anchors UKA 3 for hard building materials, intended for floor fixation, including drilling stencil

All metal parts plastic coated white RAL 9010.

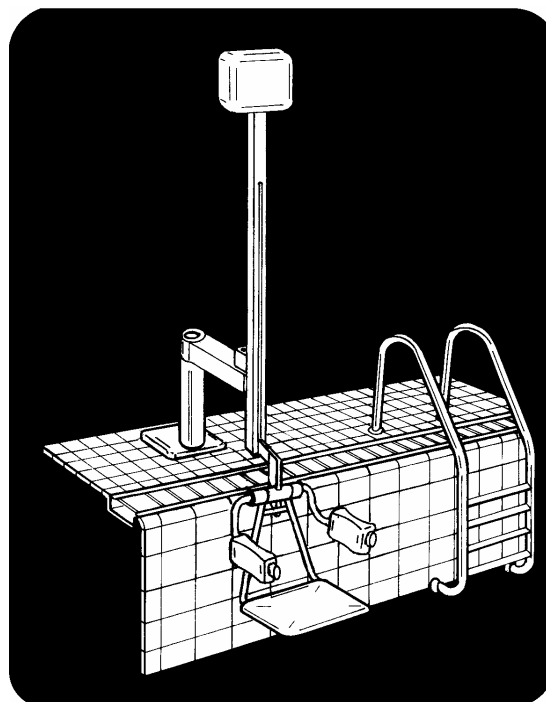
Technical specifications

max. load	150 kg
standard hoist	1100 mm
swivel range	360° + 220°
standard height of appliance	1870 mm
control medium	air
operating voltage	24 V

Special dimensions on demand.

Before delivery the following documents are necessary:
ground plan with mounting place, sectional view of the pool with the water level, useable height to the ceiling and the floor construction. For the production we made a drawing which is subject to authorization.

Accessories: see overview sheet 08.04.01 and 08.04.02
special fittings and accessories.



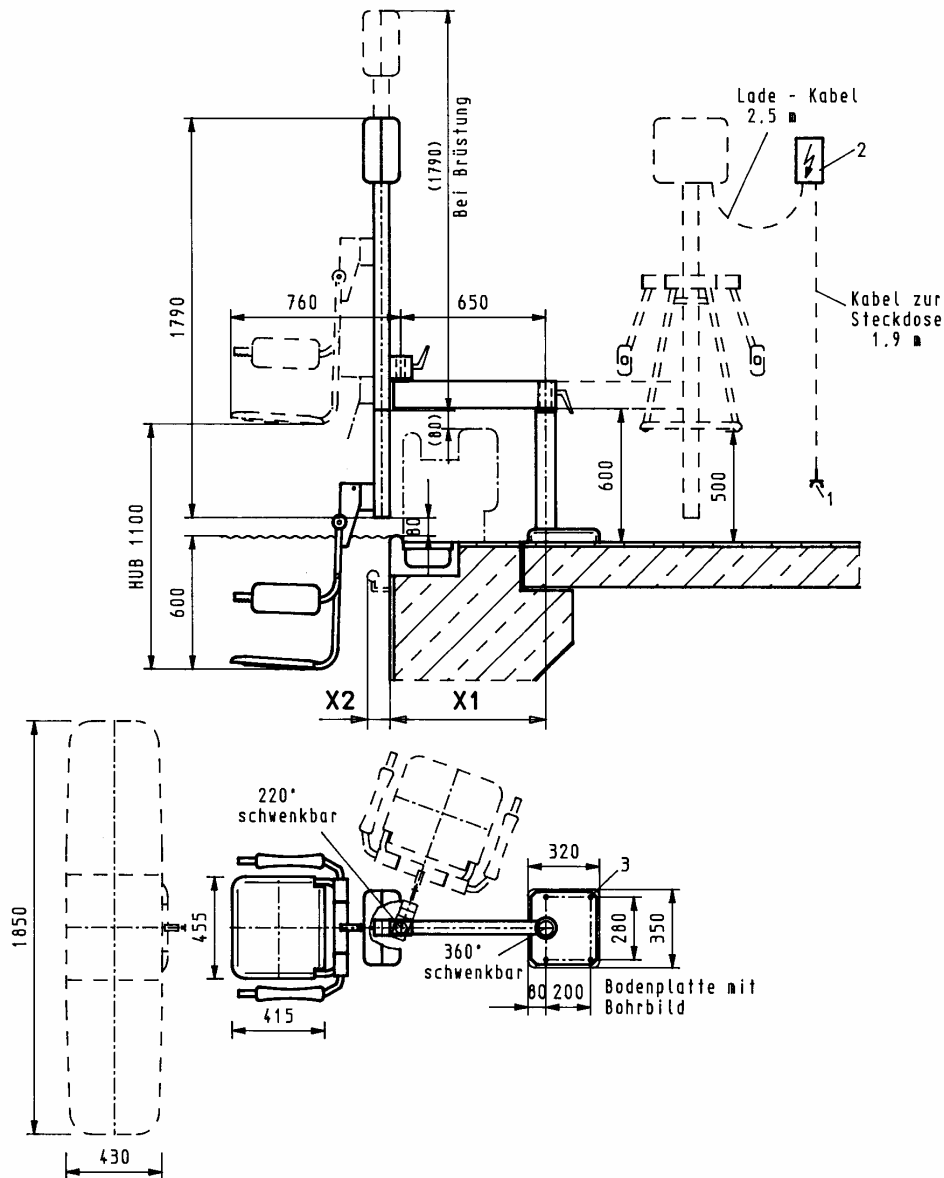
4

Technical details subject to change

Trautwein GmbH, 79312 Emmendingen

Tel.: 07641/4677-30 Fax: 07641/4677-70
Internet: <http://www.trautwein-gmbh.com>

08.04.05



Pool hoist
model Pooli II
type 1100
part-no. AL4060

On-site connections:

1. socket 230 V, 50 Hz, for charging device close to the hoist. Cable's length all over 4,4 m
Pay attention to VDE 0750!
power supply via fuses (10 A) and protection switch 30 mA.
2. charging system 230/24 V (included)
3. fixed by 4 compound anchors UKA 3 M14.
bore hole \varnothing 16 mm, 110 mm deep in concrete.

On-site safety measures

Electric installation according to DIN IEC/VDE

At order for the production of the pool hoist an exact layout of the pool with dimensions of water level, possible handrails and the height of the room is required.

Before drilling the holes for the anchor rod's, you have to check if there is an underfloor heating which could destroy pipings, expansion joints or lead's. In that case must the position be moved.

Technical details subject to change

Pool hoist
model Pooli III
type 1100
part-no. AL4070

for fixation on pools with parapet

consisting of:

- 1 hoist column 360° swivelling, with extension arm and joint 220° hinged, floor board made of V2A stainless steel with swivel column for fixation on parapet, extension 650 mm as standard, other extensions possible (extra charge).
- 1 Lifting system for exchangeable coach and seat with electro-mechanical jog-free height adjustment, 1100 mm standard lift with electronic switch-off.
- 1 Mobile remote control with magnet holder. Currentless air-drive controller to activate electrical control for lifting and lowering „up - down“.
- 2 Batteries with 3 Ah storage capacity each, maintenance-free and discharge-protected. Only 1 - 2 loading cycles per week according to frequency of use.
- 1 Battery charger 230 V/24 V, water-proof, IP 65, electronically controlled overload protection and charge monitor lamp.
Cable length 24 V: 2,5 m
Cable length 230 V: 1,9 m
- 4 Chemical anchors UKA 3 for hard building materials, intended for floor fixation, including drilling stencil

All metal parts plastic coated white RAL 9010.

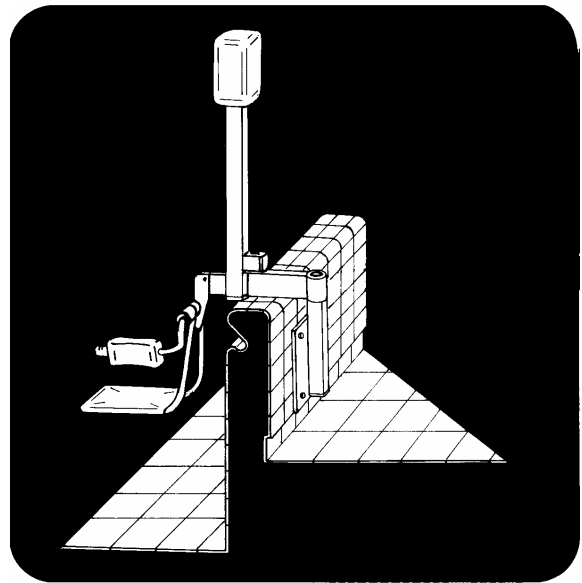
Technical specifications

max. load	150 kg
standard hoist	1100 mm
swivel range	360° + 220°
standard height of appliance	2580 mm
control medium	air
operating voltage	24 V

Special dimensions on demand

Before delivery the following documents are necessary:
ground plan with mounting place, sectional view of the pool with the water level, useable height to the ceiling and the floor construction. For the production we made a drawing which is subject to authorization.

Accessories: see overview sheet 08.04.01 and 08.04.02
special fittings and accessories.

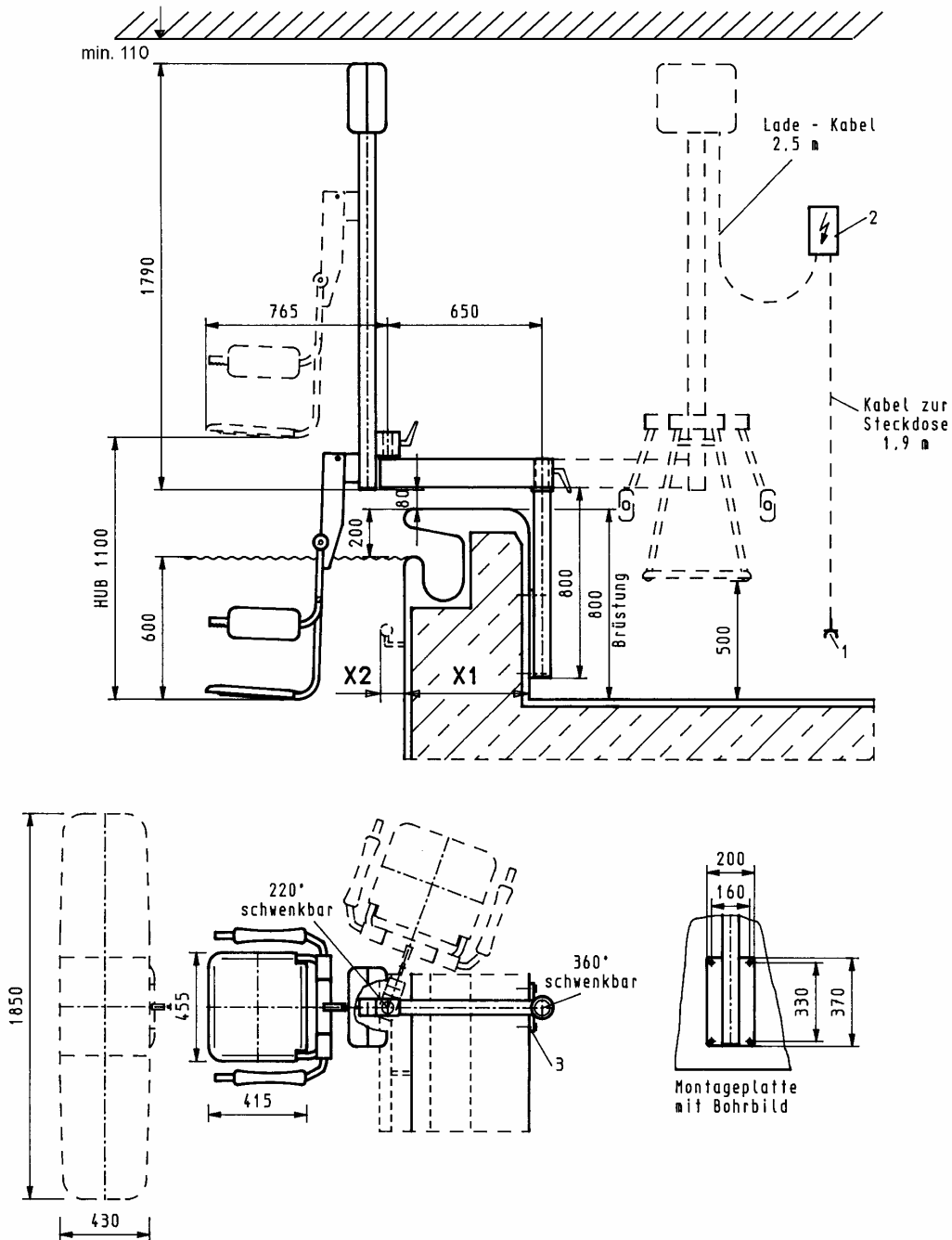
**4**

Technical details subject to change

Trautwein GmbH, 79312 Emmendingen

Tel.: 07641/4677-30 Fax: 07641/4677-70
Internet: <http://www.trautwein-gmbh.com>

08.04.06



Pool hoist
model Pooli III
type 1100
part-no. AL4070

On-site connections:

1. socket 230 V, 50 Hz, for charging device close to the hoist. Cable's length all over 4,4 m
Pay attention to VDE 0750!
power supply via fuses (10 A) and protection switch 30 mA.
2. charging system 230/24 V (included)
3. fixed by 4 compound anchors UKA 3 M14.
bore hole \varnothing 16 mm, 110 mm deep in concrete.

On-site safety measures

Electric installation according to DIN IEC/VDE

At order for the production of the pool hoist an exact layout of the pool with dimensions of water level, possible handrails and the height of the room is required.

Technical details subject to change

Before drilling the holes for the anchor rod's you have to check if a underfloor heating, pipings, expansion joints or lead's could be destroyed. In that case must the position moved.

Technical details subject to change

08.04.08

Trautwein GmbH, 79312 Emmendingen

Tel.: 07641/4677-30 Fax: 07641/4677-70

Internet: <http://www.trautwein-gmbh.com>

Stationary hoist model Elli-Stand type 700 part-no. AL4100

for floor-mounting in front of combination tub appliances
and butterfly tubs

consisting of:

- 1 reinforced hoist column on floor board V2A stainless steel
with extension R 1100 mm 360° swivelling and swivel
column 220°;
- 1 Lifting system with electro-mechanical jog-free height
adjustment 700 mm lift with coupling system for couch or
seat. Electronic switch-off.
- 1 Mobile remote control with magnet holder. Currentless
air-drive controller to activate electrical control for lifting
and lowering „up - down“.
- 2 Batteries with 3 Ah storage capacity each, maintenance-
free and discharge-protected. Only 1 - 2 loading cycles
per week according to frequency of use.
- 1 Battery charger 230V / 24V, water-proof, IP 65,
electronically controlled overload protection and charge
monitor lamp.
Cable length 24 V: 2,5 m
Cable length 230 V: 1,9 m
- 4 Chemical anchors UKA 3 for hard building materials,
intended for floor fixation, including drilling stencil

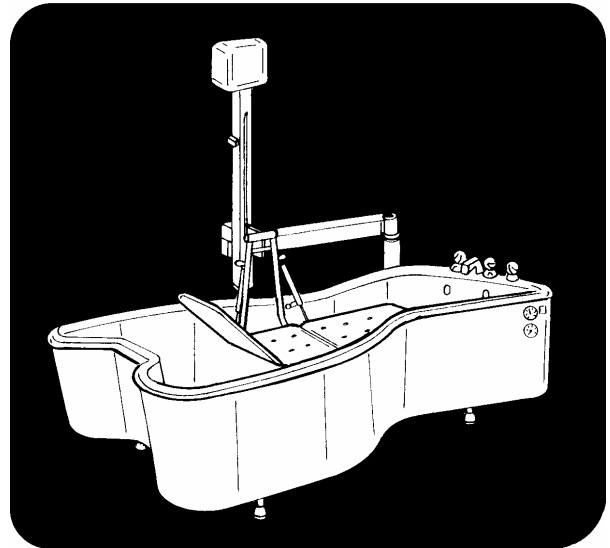
All metal parts plastic coated white RAL 9010.

Technical specifications

max. load	150 kg
standard hoist	700 mm
swivel range	360° + 220°
standard height of appliance	2430 mm
control medium	air
operating voltage	24 V

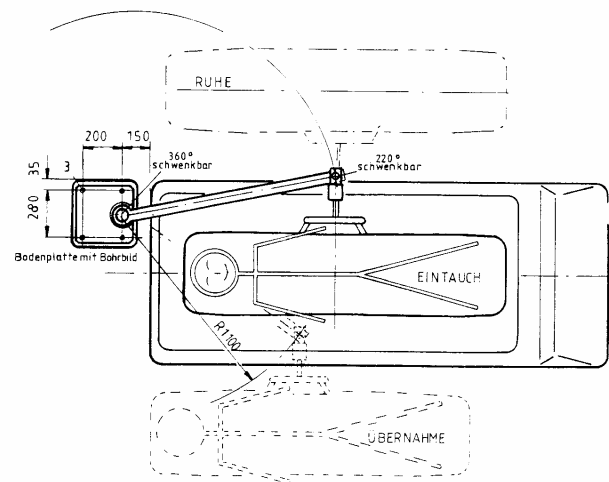
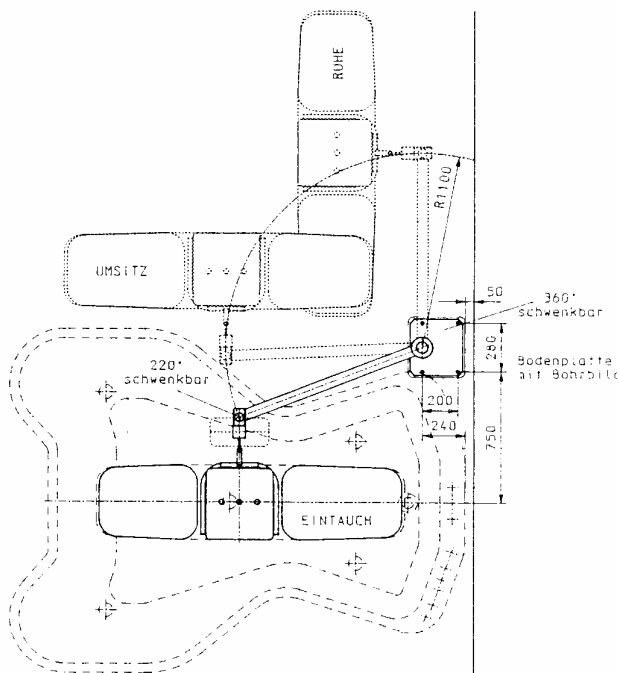
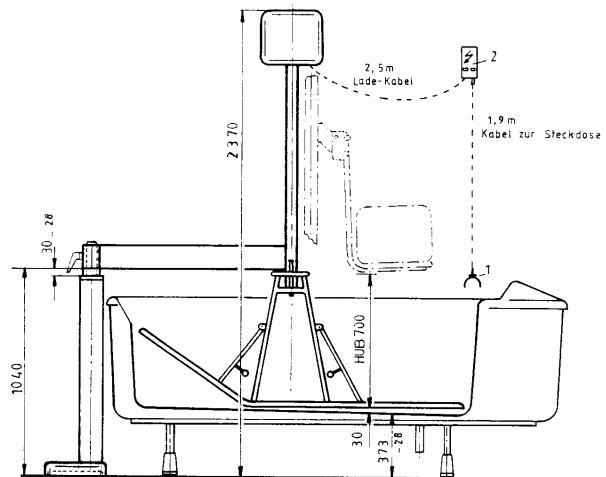
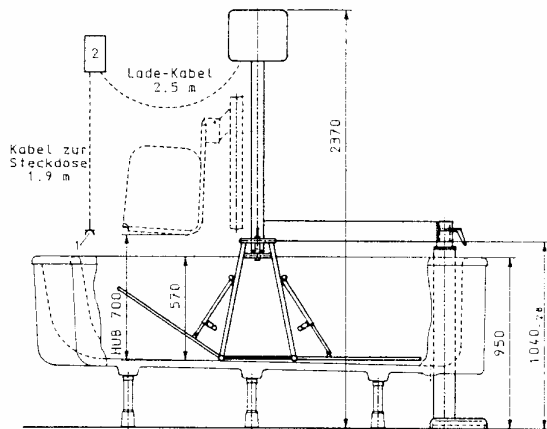
Special dimensions on demand

Accessories: see overview sheet 08.04.01 and 08.04.02
special fittings and accessories



Technical details subject to change

Lifting Devices



Stationary hoist model Elli-Stand type 700 part-no. AL4100

On-site connections:

1. socket 230 V, 50 Hz, for charging device close to the hoist. Cable's length all over 4,4 m
Pay attention to VDE 0750!
power supply via fuses (10 A) and protection switch 30 mA.
2. charging system 230/24 V (included)
3. fixed by 4 compound anchors UKA 3 M14.
bore hole \varnothing 16 mm, 120 mm deep in concrete.

On-site safety measures

Electric installation according to DIN IEC/VDE
Potential equalizer (not for appliances with electro-galvanic baths)

Before drilling the holes for the anchor rod's you have to check if a underfloor heating, pipings, expansion joints or lead's could be destroyed. In that case must the position moved.

Technical details subject to change

08.04.10

Trautwein GmbH, 79312 Emmendingen

Tel.: 07641/4677-30 Fax: 07641/4677-70

Internet: <http://www.trautwein-gmbh.com>