

Special fittings and accessories for partial bath

+ = especially recommendable

Fittings

1 **Filler with mixer tap UP part-no. ZT3001**
2 chromium plated UP-valves 1/2"

2 **Filler with mixer tap UP part-no. ZT3002**
4 chromium plated UP-valves 1/2"

3 **Filler with thermostatic mixer UP part-no. ZT3003**
1 chromium plated UP-valves 1/2"
1 thermostatic mixer UP 1/2"

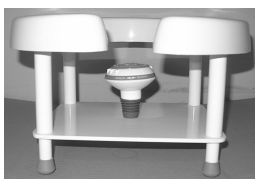
4 **Filler with thermostatic mixer UP part-no. ZT3004**
2 chromium plated UP-valves 1/2"
1 thermostatic mixer UP 1/2"

5 **Filler with thermostatic mixer UP part-no. ZT3006**
2 chromium plated UP-valves 1/2"
1 thermostatic mixer UP 1/2" mounted in the tub rim

6 **Filler for lower shower part-no. ZT3025**
1 chromium plated UP-valves 1/2"

7 **Stool with lower shower part-no. ZT3007**

+ only for use with thermostatic mixer, in front open plastic seat ring and adjustable showerhead (fan-like, massage) for jet- and showermassage incl. hose and chromium plated angle fitting 1/2" with thermometer.



8 **Cleaning hand shower part-no. ZT3205**
according to DVGW regulations with thermostatic mixer and 1/2" pipe separator system and holder.

Attachments

10 **Stationary, height adjustable swivel chair**

+ **part-no. ZT3009**

for easy treatment in the four cell bath or foot bath. Pleasant raise and lowering through electrical drive system.

Consisting of:

1 electromechanical heightadjustment, 500 mm lift with electronic cut off limiter, 150 kg loadable, 360° slewing with lock, capacity of the batteries 6 Ah – maintenance free.
4 anchors UKA 3 for floor mounting in concrete with drilling stencil.

1 plastic-seat

1 safety belt for the patient

1 moveable air control with magnetic holder.

All metal parts are plastic coated in platinum grey and cover for motor made of polystyrene, white



1 charging unit 230/24 V with option-LED, incl. power- and chargecable

11 **Swivel chair, height adjustable part-no. ZT3060**

with gassuspension, plastic frame with casters. Backpart is height- and distance adjustable. Cover made of imitation leather. Color: lightgrey



12 **Swivel chair with arm rest, height adjustable part-no. ZT3070**

with gassuspension, plastic frame with casters. Backpart is height- and distance adjustable. Cover made of imitation leather. Color: lightgrey

3

13 **body electrode with sponge pocket part-no. ZT3026**

Size 250 x 150 mm incl. straps and 2m cabel with connector.



14 **lifting device for hip bath part-no. ZT3300**

refer sheet-no. 08.03.08

15 **Contrast bath control Type WBS part-no. ZT3011**

for the foer chamber bath, TÜV-GS safety tested, built-in, with automatic control for contrast bath treatment. Built-in as serviceable part for easy exchange.

- digital display for warm and cold treatment time

- digital display for the number of contrast bath turns

- button for warm and cold treatment time

- button for number of contrast bath turns

- button on/off with LED

- button start/stop with LED

2 chromium plated UP valves 1/2" for treatment of arms, legs and foot sole

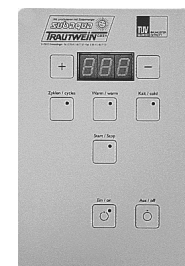
2 plastic cone-form spray-showers for treatment of the arms with hoses

6 plastic cone-form spray-showers for treatment of the legs and foot soles with hoses

4 plastic covers as spray protection for arm baths.

2 magnetic valves 1/2", 24 V, for cold- and warm-treatments;

1 control, 24 V, in Iso-casing with separated protection transformer 230/24 V 100 VA.



16 **Contrast bath control Type WBS part-no. ZT3019**

for the foer chamber bath, TÜV-GS safety tested, built-in, with automatic control for contrast bath treatment. Built-in as serviceable part for easy exchange.

- digital display for warm and cold treatment time

- digital display for the number of contrast bath turns

- button for warm and cold treatment time

- button for number of contrast bath turns

- button on/off with LED

- button start/stop with LED

Technical details subject to change

2 chromium plated UP valves 1/2" for treatment of arms, legs and foot sole
 2 plastic cone-form spray-showers for treatment of the arms with hoses
 6 plastic cone-form spray-showers for treatment of the legs and foot soles with hoses
 4 plastic covers as spray protection for arm baths.
 2 magnetic valves 1/2", 24 V, for cold- and warm-treatments;
 1 control, 24 V, in Iso-casing with separated protection transformer 230/24 V 100 VA.

18 Distance - Shower part-no. ZT 3013

consisting of:
 1 chromium plated UP 3/4"
 1 chromium plated shower branch 3/4"
 1 special shower head made of white plastic with special cleaning system.

19 protectice screen part-no. ZT3015

+ consisting of:
 stainless steel pipe frame rack, polished, with 5 mm plastic plate, color: lightgrey. Width 600 mm, height 800 mm, depth 500 mm.



20 Pouring rack part-no. ZT3016

+ consisting of:
 stainless steel pipe frame rack, polished, with 5 mm plastic plate, color: lightgrey. Width 600 mm, height 800 mm, depth 650 mm.

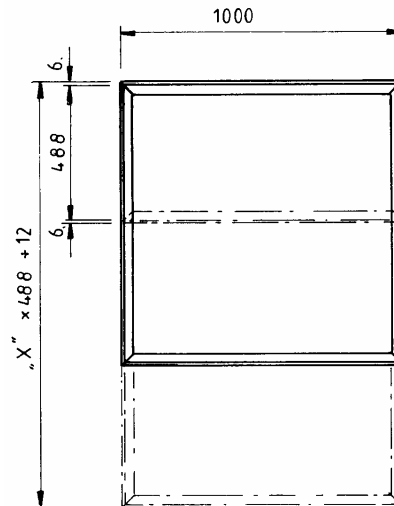


21 Plastic grating, cantilevered part-no. ZT3020

self supporting as raster unit, nominal measure 1000 x 500 mm, profile sticks as cross connector, hygienic construction, color: grey RAL 7035.

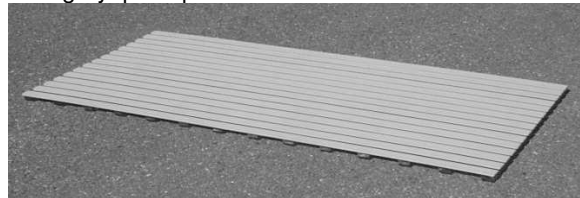
22 Frame for plastic grading part-no. ZT3021

made of L-shaped plastic 30 x 4 mm with strap for on-site concrete. dimensiones L..... x B 1000 mm. price per meter.



23 Plastic mat part-no. ZT3022

upperpart made of hard plastic lightgrey, double grooved with rounded sides, lower part flexible, uniform dark grey. price per meter



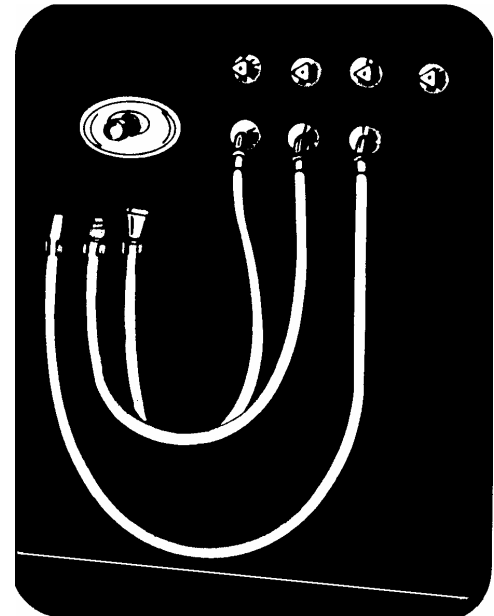
Technical details subject to change

Wall-mounted shower unit
model Standard,
type KD-WA-3
part-no. AT3010

consisting of:

- 1 chromium plated thermo-mixer security-tap, nominal output 48l/min. for concealed installation with pre-control
- 3 chromium plated valves $\frac{3}{4}$ ", for concealed installation with metal grip WARM;
- 1 chromium plated connector angle piece $\frac{3}{4}$ " with high-pressure rubber hose pipe and jet nozzle.
- 1 chromium plated connector angle piece $\frac{3}{4}$ " with high-pressure rubber hose pipe and shower attachment
- 1 chromium plated connector angle piece $\frac{3}{4}$ " with high-pressure rubber hose pipe for water therapy.
- 3 swivel suspension hooks.

Accessories: see overview sheet 08.03.01 and 08.03.02 special fittings and accessories



Wall-mounted shower unit
model Kneipp,
type KD-WA-WD
part-no. AT3015

consisting of:

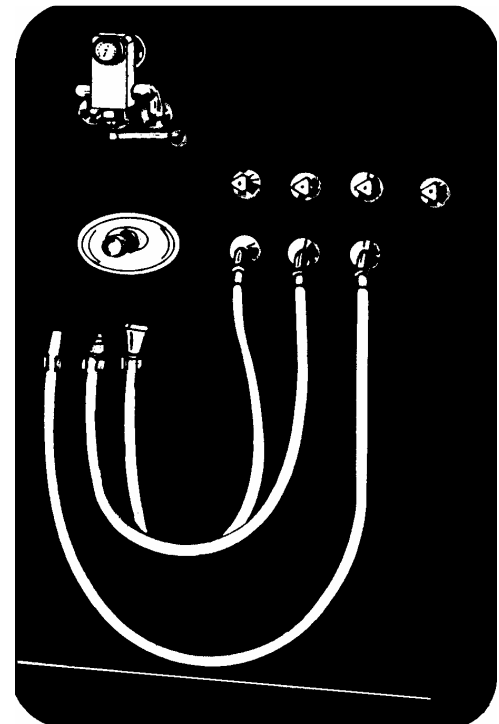
- 1 chromium plated thermo-mixer security-tap, nominal output 48l/min. for concealed installation with pre-control
- 3 chromium plated valves $\frac{3}{4}$ ", for concealed installation with metal grip WARM;
- 1 chromium plated connector angle piece $\frac{3}{4}$ " with high-pressure rubber hose pipe and jet nozzle.
- 1 chromium plated connector angle piece $\frac{3}{4}$ " with high-pressure rubber hose pipe and shower attachment
- 1 chromium plated connector angle piece $\frac{3}{4}$ " with high-pressure rubber hose pipe for water therapy.
- 3 swivel suspension hooks.

Contrast shower fitting,

consisting of:

- 1 chromium plated single lever mixer tap 1", complete with connector angle piece, with clock thermometer as well as grip with adjustable stop at the cold side.
- 2 chromium plated valves 1" for concealed installation for stop cock cold and warm water (on-site)

Accessories: see overview sheet 08.03.01 and 08.03.02 special fittings and accessories



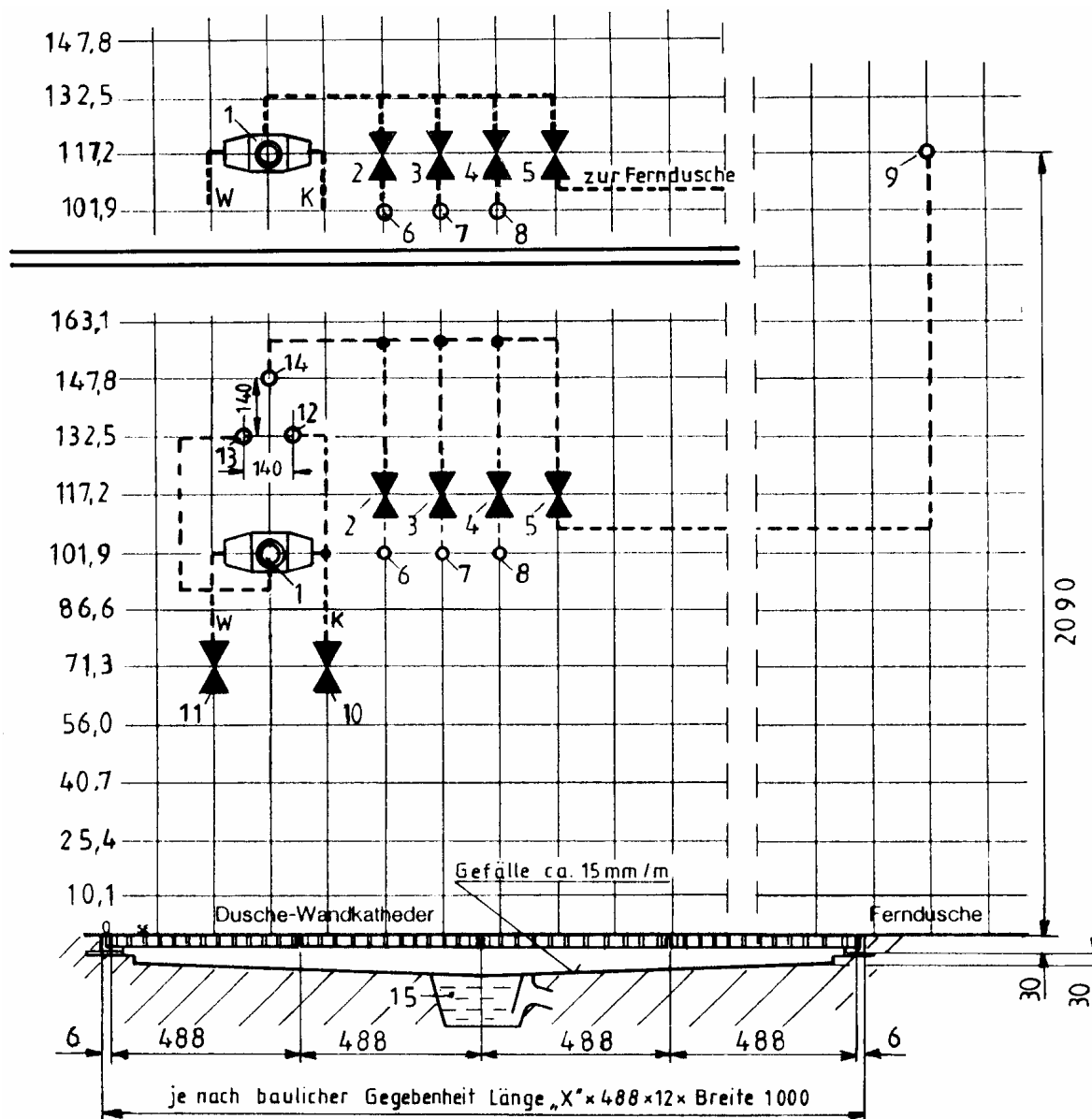
Technical details subject to change

Trautwein GmbH, 79312 Emmendingen

Tel.: 07641/4677-30 Fax: 07641/4677-70

Internet: <http://www.trautwein-gmbh.com>

08.03.03



Wall-mounted shower unit
model Standard,
type KD-WA-3
part-no. AT3010

Wall-mounted shower unit
model Kneipp,
type KD-WA-WD
part-no. AT3015

On-site connections

1. UP Thermostat 3/4"
2. UP valve 3/4" warm
3. UP valve 3/4" warm
4. UP valve 3/4" warm
5. UP valve 3/4" warm (long-distance shower)
6. sleeve 3/4" flush with tiles
7. sleeve 3/4" flush with tiles
8. sleeve 3/4" flush with tiles
9. sleeve 3/4" flush with tiles (long-distance shower)
10. UP valve 1" cold (onsite stop-cock)
11. UP valve 1" warm (onsite stop-cock)
12. sleeve 1" flush with tiles
13. sleeve 1" flush with tiles
14. sleeve 1" flush with tiles
15. drainage Ø 100

On-site safety measures

electric installation according DIN IEC/VDE

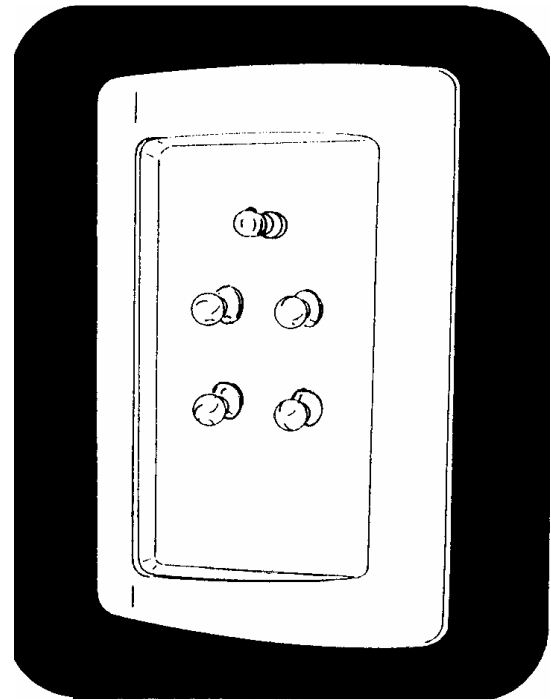
Technical details subject to change

Shower-wall-desk
as over plaster wall-element
model Standard,
type KD-AP-3
part-no. AT3018

compact plastic case - design by ST - for the inclusion of the complete installation, for connection with cold water and warm water piping (on-site)

consisting of:

- 1 two-part plastic case LxWxD 1035x660x246 mm including fixing material, cover made of acrylic material, colour white
- 1 thermo-mixing valve, nominal output 48l/min. with scald protection, dirt-collection-sieve and stop cock.
- 3 under plaster valves $\frac{3}{4}$ ".
- 1 set connection hoses including wall-connection-angle.
- 1 therapy hose, colour white, with jet-nozzle.
- 1 therapy hose, colour white, with rain-shower.
- 1 therapy hose, colour white, open for Kneipp-gushes.
- 3 covered acrylic hooks for taking up the ends of the hoses.



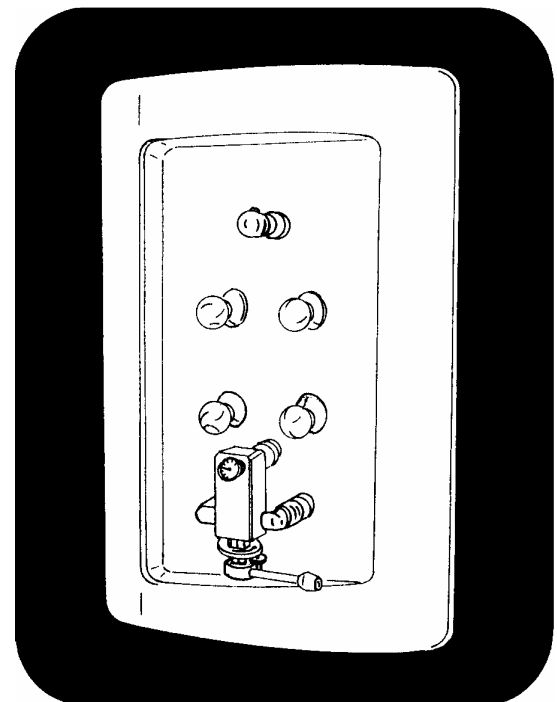
3

Shower-wall-desk
as over plaster wall-element
model Kneipp,
type KD-AP-WD
part-no. AT3019

compact plastic case - design by ST - for the inclusion of the complete installation, for connection with cold water and warm water piping (on-site)

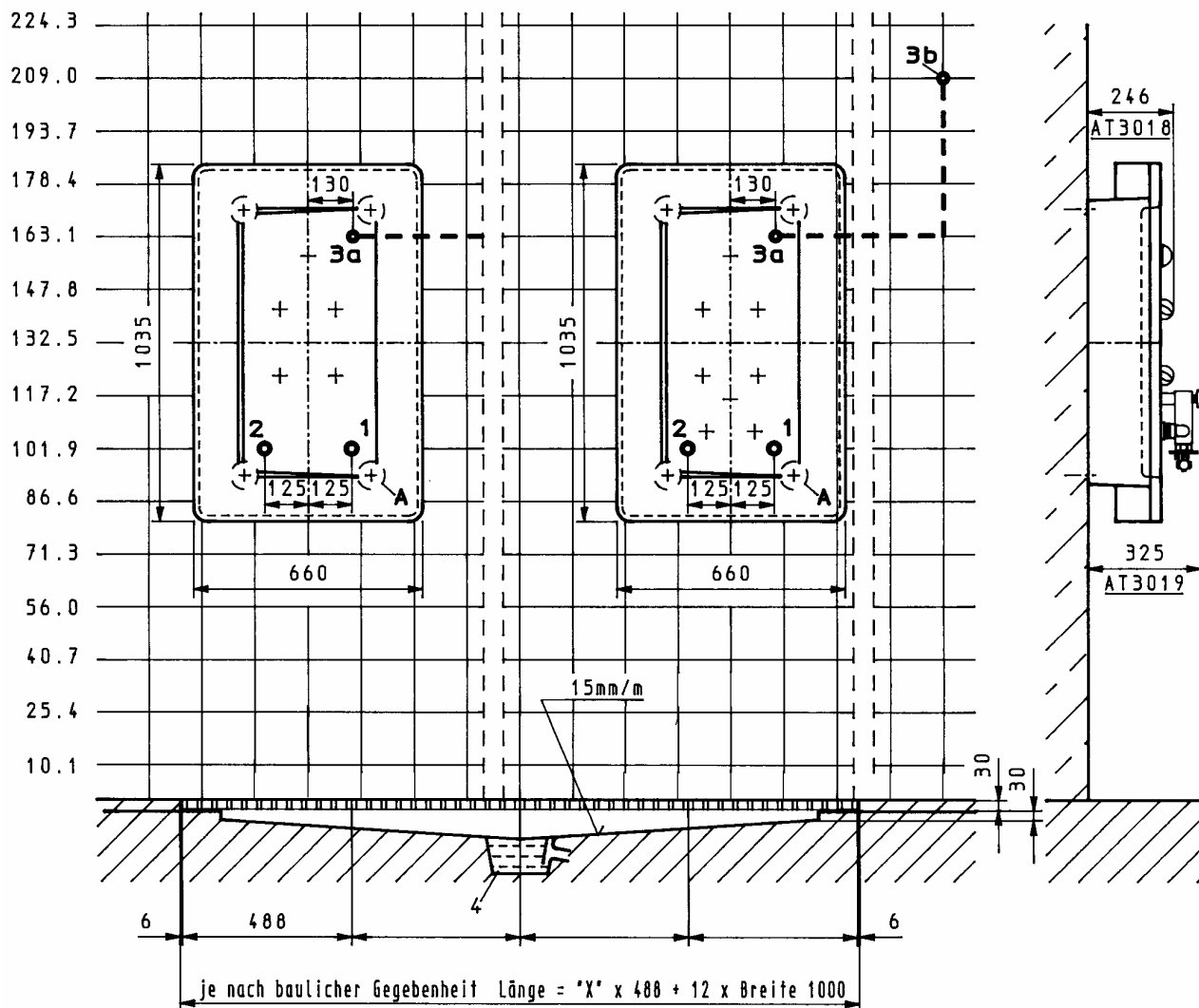
consisting of:

- 1 two-part plastic case LxWxD 1035x660x246 mm including fixing material, cover made of acrylic material, colour white
- 1 contrast-shower 1" with chromiumplated fitting-block including clock thermometer and changing lever with adjustable stop at the cold water side.
- 1 thermo-mixing valve, nominal output 48l/min. with scald protection, dirt-collection-sieve and stop cock.
- 3 under plaster valves $\frac{3}{4}$ ".
- 1 set connection hoses including wall-connection-angle.
- 1 therapy hose, colour white, with jet-nozzle.
- 1 therapy hose, colour white, with rain-shower.
- 1 therapy hose, colour white, open for Kneipp-gushes.
- 3 covered acrylic hooks for taking up the ends of the hoses.



Accessories: see overview sheet 08.03.01 and 08.03.02
special fittings and accessories

Technical details subject to change



Shower-wall-desk
as over plaster wall-element
model standard,
type KD-AP-3
part-no. AT3018

On-site connections

1. cold water sleeve 1" flush with tiles
2. warm water sleeve 1" flush with tiles
3. sleeve 3/4" flush with tiles
(only by special model „distance shower“)
4. drainage \varnothing 100 mm

A. Fixing points - don't lay any pipes in this area

Shower-wall-desk
as over plaster wall-element
model Kneipp,
type KD-AP-WD
part-no. AT3019

On-site safety measures

stop cock cold and warm water
electric installation according DIN IEC/VDE

Technical details subject to change

**Showerdesk
model Standard,
type DSK-3
part-no. AT3275**

compact plastic case - design by ST - for the inclusion of the complete installation, for connection with cold water and warm water piping (on-site)

consisting of:

- 1 two-part plastic case laminated base, L x W x D: 1035 x 660 x 900 mm, cover made of acrylic material, colour white
- 1 thermo-mixing valve, nominal output 48l/min. with scald protection, dirt-collection-sieve and stop cock.
- 3 under plaster valves 3/4".
- 1 set connection hoses with wrap nuts.
- 1 therapy hose, colour white, with jet-nozzle.
- 1 therapy hose, colour white, with rain-shower.
- 1 therapy hose, colour white, open for Kneipp-gushes.
- 3 covered acrylic hooks for taking up the ends of the hoses.
- 4 floor anchors M10 and glue cartridges. Drilling template.

**3**

**Showerdesk
model Kneipp,
type DSK-WD
part-no. AT3280**

compact plastic case - design by ST - for the inclusion of the complete installation, for connection with cold water and warm water piping (on-site)

consisting of:

- 1 two-part plastic case laminated base, L x W x D: 1035 x 660 x 900 mm, cover made of acrylic material, colour white.
- 1 contrast-shower 1" with chromiumplated fitting-block including clock thermometer and changing lever with adjustable stop at the cold water side.
- 1 thermo-mixing valve, nominal output 48l/min. with scald protection, dirt-collection-sieve and stop cock.
- 3 under plaster valves 3/4".
- 1 set connection hoses with wrap nuts.
- 1 therapy hose, colour white, with jet-nozzle.
- 1 therapy hose, colour white, with rain-shower.
- 1 therapy hose, colour white, open for Kneipp-gushes.
- 3 covered acrylic hooks for taking up the ends of the hoses.
- 4 floor anchors M10 and glue cartridges. Drilling template.

Accessories: see overview sheet 08.03.01 and 08.03.02
special fittings and accessories



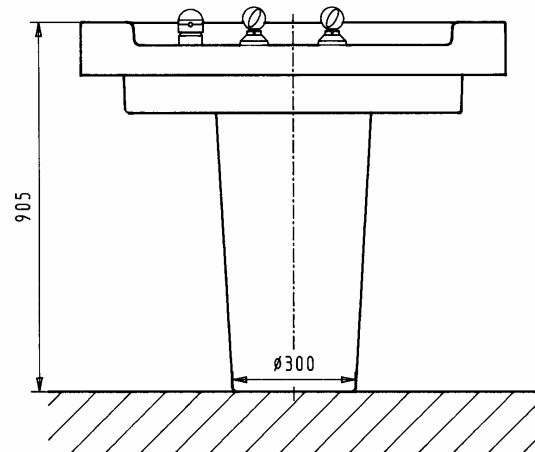
Technical details subject to change

Showerdesk
model Standard,
type DSK-3
part-no. AT3275

On-site connections

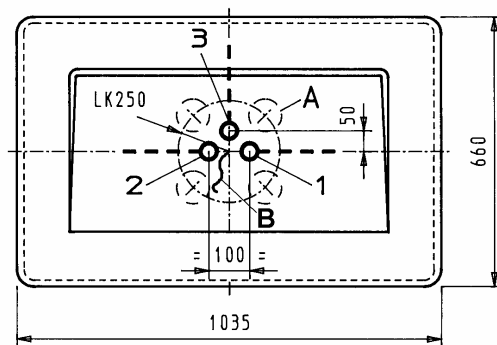
1. cold water sleeve 1" flush with tiles
2. warm water sleeve 1" flush with tiles
3. sleeve 3/4" flush with tiles
(only by special model „distance shower“)

A = Fixing points - don't lay any pipes in this area
B = Potentialcompensation, cable 1,5m long.



On-site safety measures

stop cock cold and warm water
electric installation according DIN IEC/VDE

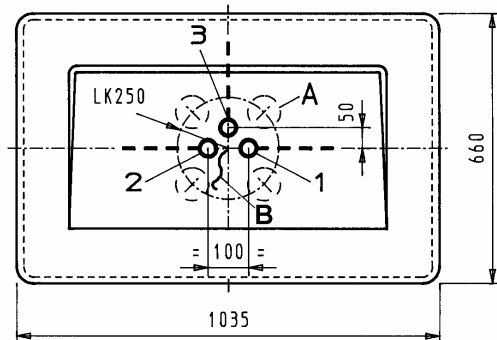
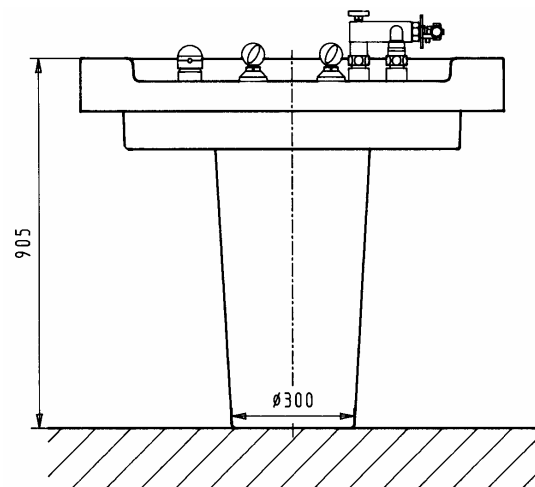


Showerdesk
model Kneipp,
type DSK-WD
part-no. AT3280

On-site connections

1. cold water sleeve 1" flush with tiles
2. warm water sleeve 1" flush with tiles
3. sleeve 3/4" flush with tiles
(only by special model „distance shower“)

A = Fixing points - don't lay any pipes in this area
B = Potentialcompensation, cable 1,5m long.



Technical details subject to change

Contrast arm bath
model Kneipp
type WA-WA-K
part-no. AT3020

consisting of:

2 plastic arm tubs, glass-fibre reinforced, with cladding.
Choice of colour according to colour chart.

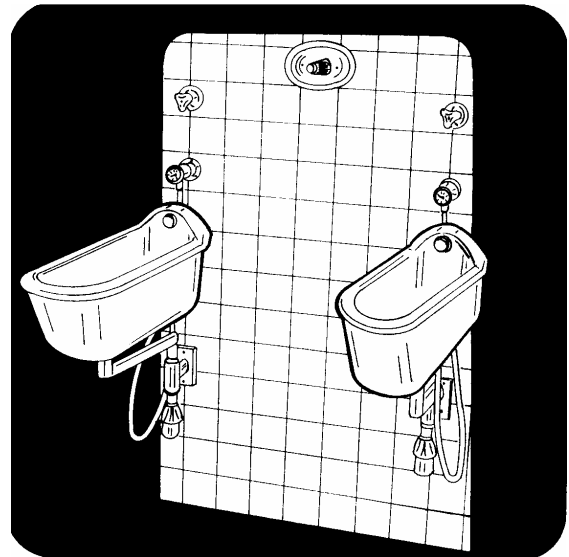
Dimensions:

Length approx. 720 mm, width approx. 255 mm, depth
approx. 215 mm.

Fittings:

2 swivelling special consoles, brass-chromium plated, with
connector flanges, screws and dowels,
2 standing pipe drainage and overflow batteries 1 1/4";
2 suspension hooks;
2 bottle odour traps 1 1/4".
2 wall drainage U-pipes 1/2" chromium plated with clock
thermometer and filling hoses.

Accessories: see overview sheet 08.03.01 and 08.03.02
special fittings and accessories

**3**

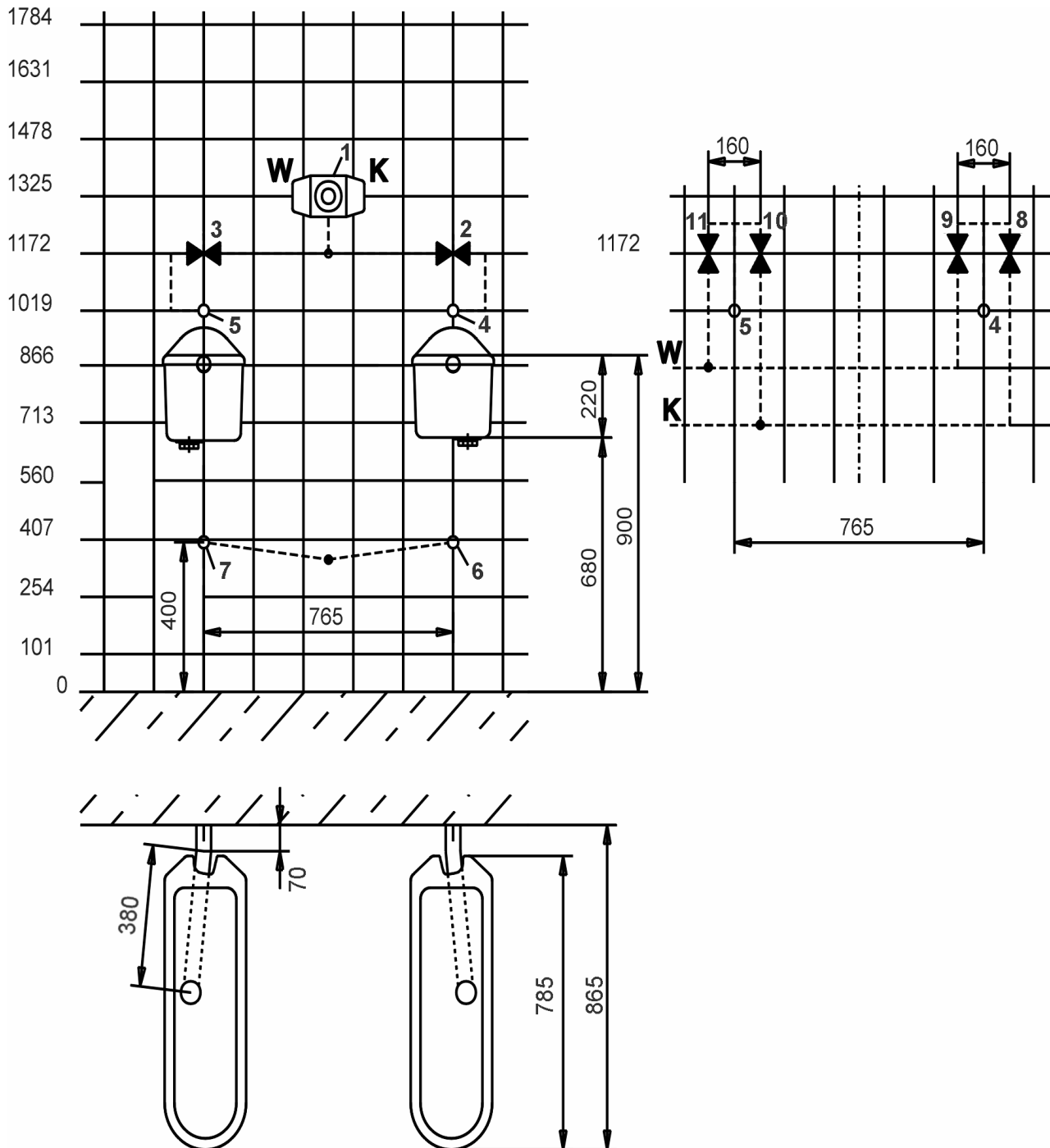
Technical details subject to change

Trautwein GmbH, 79312 Emmendingen

Tel.: 07641/4677-30 Fax: 07641/4677-70

Internet: <http://www.trautwein-gmbh.com>

08.03.06



Contrast arm bath
model Kneipp,
type WA-WA-K
part-no. AT3020

On-site connections

1. UP Thermostat 1/2"
2. UP valve 1/2" warm
3. UP valve 1/2" warm
4. sleeve 1/2" flush with tiles
5. sleeve 1/2" flush with tiles
- 6.-7. sleeves Ø 40 flush with tiles

version mixer

8.-11. UP-valves 1/2"

On-site safety measures

stop-cocks warm and cold
electric installation according DIN IEC/VDE

Technical details subject to change

Contrast foot bath
model Kneipp
type WF-WA-K
part-no. AT3044

consisting of:

double plastic foot tub, on 4 feet, glass-fibre reinforced, with cladding. Choice of colour according to colour chart.

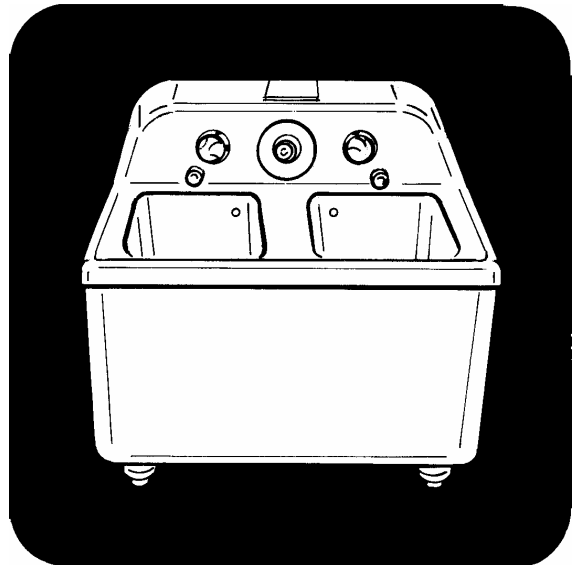
Dimensions:

Width 880 mm, depth 700 mm, height 500/670 mm.

Fittings:

2 standing pipe drainage and overflow batteries 1 ¼";
2 chromium plated suspension hooks with dowels,
2 ½" warm and cold filling hoses.
2 filling shell with clock thermometer.

Accessories: see overview sheet 08.03.01 and 08.03.02
special fittings and accessories



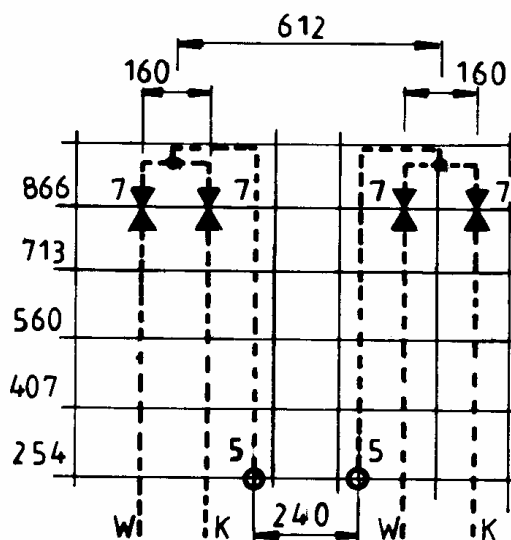
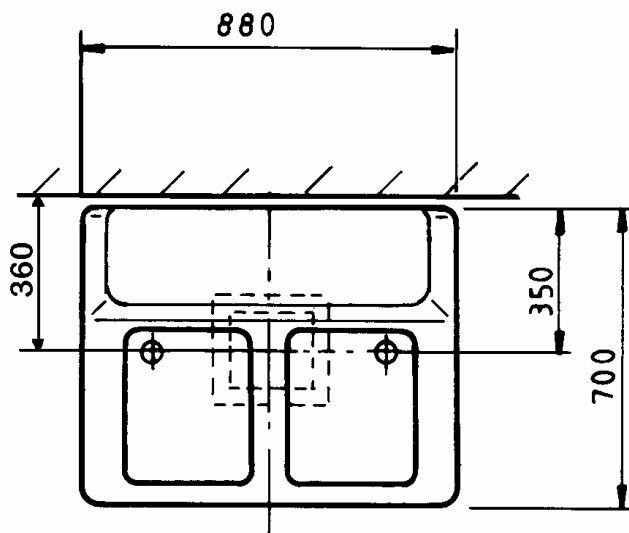
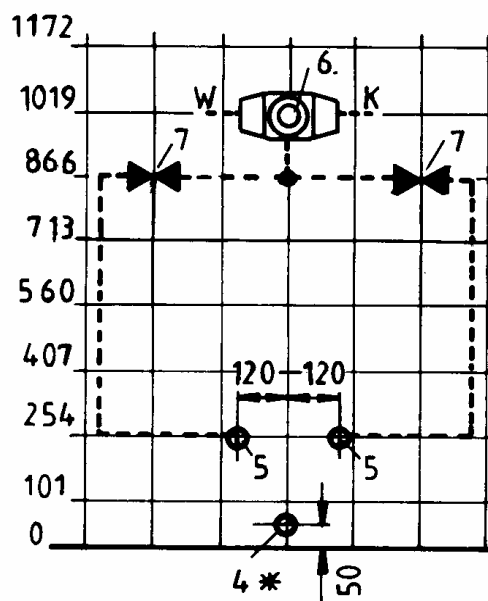
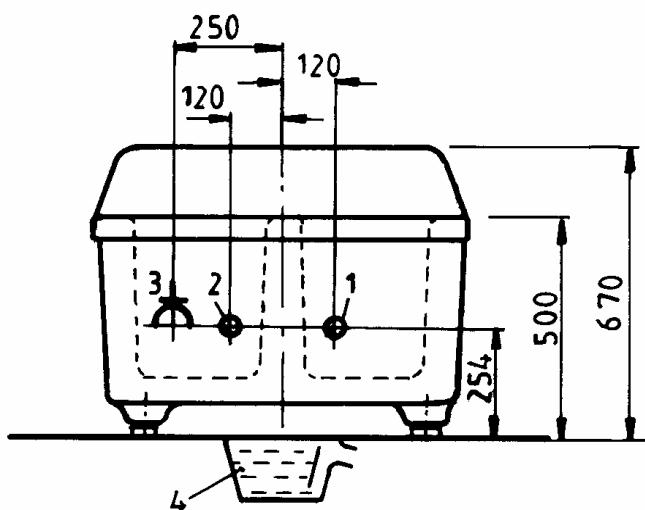
Technical details subject to change

Trautwein GmbH, 79312 Emmendingen

Tel.: 07641/4677-30 Fax: 07641/4677-70

Internet: <http://www.trautwein-gmbh.com>

08.03.07



Contrast foot bath
model Kneipp
type WF-WA-K
part-no. AT3044

7. under plaster valve 1/2" warm/cold

On-site connections

1. cold water sleeve 1/2" flush with tiles
2. warm water sleeve 1/2" flush with tiles
3. electrical floor connection, 230V, 50Hz, 50W (only with built-in contrast bath control)
4. drainage \varnothing 70 mm
5. mixed water sleeve 1/2" flush with tiles
6. under plaster thermostatic mixer 1/2"

On-site safety measures

stop cock cold and warm water
if the drain of the tub is stationary connected, a room draining must exist.
electric installation according DIN IEC/VDE
weight: 42 Kg

Technical details subject to change

hip bath
 model Standard
 type S-WA-AC
 part-no. AT3060

consisting of:

Acrylic glass tub body, seamlessly deformed, glass-fibre reinforced, on 4 adjustable feet. Plastic cladding.
 Choice of colour according to colour chart.

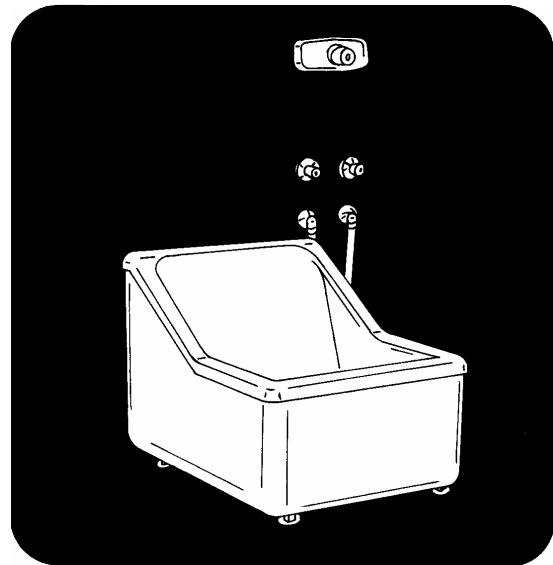
Dimensions:

Width 760 mm, depth/Tiefe 880 mm, height front 430 mm,
 height back 670 mm

Fittings:

- 1 drainage battery 1 1/4", with plug.
- 1 filling shell with on the side with connection hose pipe and wall drain pipe 1/2" chromium plated with clock thermometer.

Accessories: see overview sheet 08.03.01 and 08.03.02
 special fittings and accessories



3

hoist for hip bath
 patent pending
 part-no. ZT3300

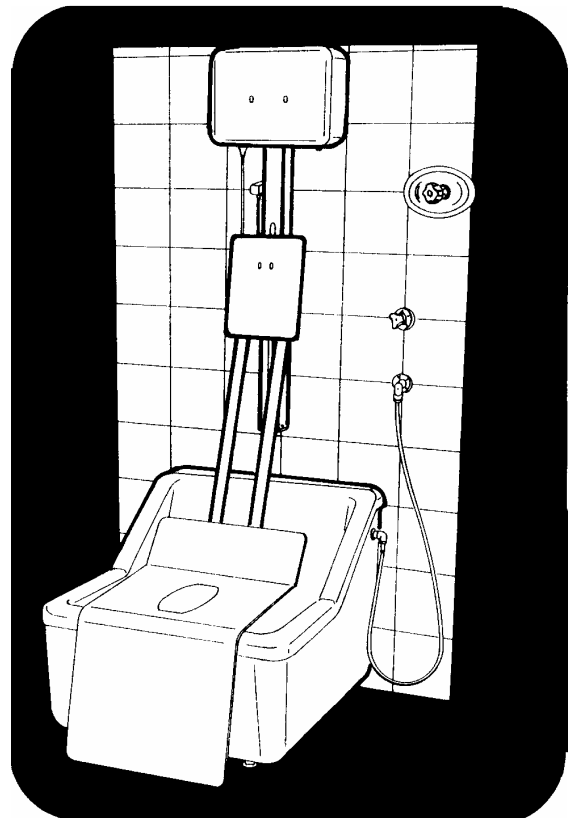
for the later installation in already installed tubs (strange tubs on demand) consisting of:

- 1 lifting equipment for wall attachment of the hip-tub with electro-mechanical, jerk-free height adjustment incl. drive-case made of strike-solid synthetic material.
- 2 maintenance free and discharge protected batteries with each 3 Ah capacity built-in.
- 1 current-free air control for function ON - OFF.
- 1 charging device 230 V / 24 V waterproof, IP 65, electronical controlled. Overloading protection, charge monitor lamp, length of the cable 24 V = 2,5 m, 230 V = 1,9 m.
- 1 attachment set with screws, plugs and washers incl. installation-stencil.
- 1 treatment seat made of full synthetic material white, with opening for the genitals, formed rest for the legs and swivel joint above the front tub edge.
- 2 straps made of smooth belt with material support.

All parts in touch with the patient and all parts dipping in the water have a smooth surface and they are easily to disinfect.

techn. Data:

max. load: 150 kg
 lift : 500 mm
 capacity : 3 Ah

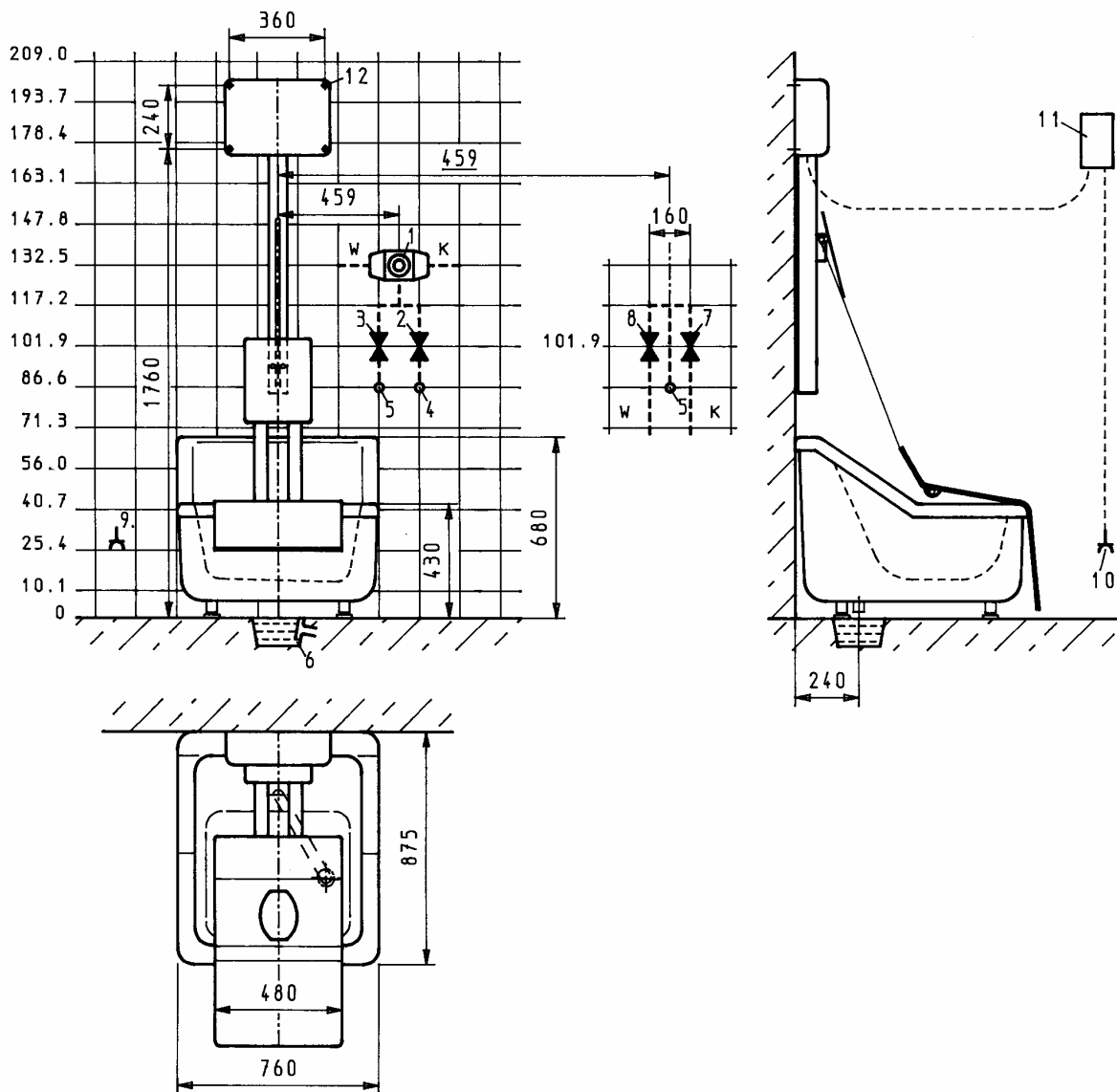


Technical details subject to change

Trautwein GmbH, 79312 Emmendingen

Tel.: 07641/4677-30 Fax: 07641/4677-70
 Internet: <http://www.trautwein-gmbh.com>

08.03.08



hip bath
 model Standard
 type S-WA-AC
 part-no. AT3060

On-site connections

1. UP thermostat 1/2"
2. UP valve 1/2"
3. UP valve 1/2"
4. sleeve 1/2" flush with tiles
5. sleeve 1/2" flush with tiles
6. drainage with odour trap Ø 70
9. socket 230 V, 50 Hz, 80 W (for ultra sonic)

version mixer

- 7.-8. UP valves 1/2"
- weight: 40 Kg

hoist for hip bath
 part-no. AT3300

On-site connections

1. connector 230V, 50Hz supplied through fuse 10A and ground fault circuit indicator 30mA
2. Charging unit 230/24V (included)
3. mounted with 4 screws and dowels, drill hole Ø 10mm, 100mm deep

On-site safety measures

electric installation according DIN IEC/VDE

Technical details subject to change

hip bath
model Nürnberg
type S-HS-AC
part-no. AT3115

with height-adjustable seat
consisting of:

Acrylic glass tub body, seamlessly deformed, glass-fibre reinforced, on 4 adjustable feet. Plastic cladding.
Choice of colour according to colour chart.

Dimensions:
Width 760 mm, depth 880 mm, height front 480 mm,
height back 730 mm, tub depth 300 mm

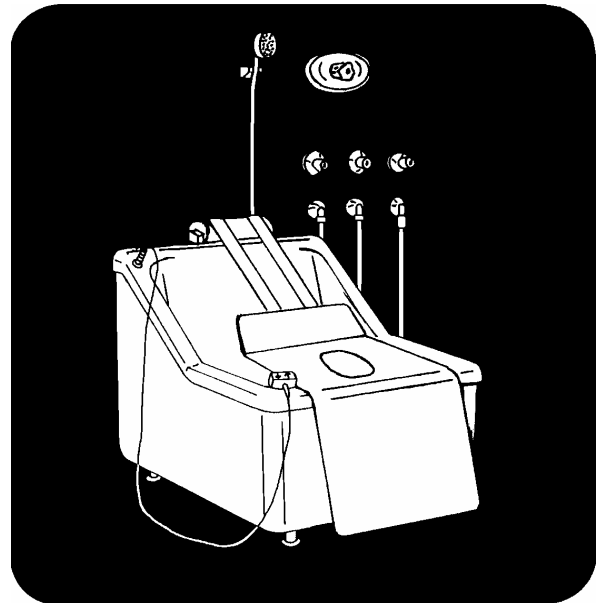
Fittings:

- 1 drainage battery 1¼", with plug.
- 1 filling shell with on the side with connection hose pipe and wall drain pipe ½" chromium plated with clock thermometer.
- 1 seat covering is easily removed without special tools for easy exchange. Seat is adjustable from chair height to tub floor level.
- 1 leg support with incorporated heel-rests to prevent blocked circulation (thromboses). The leg support follows automatically the seat when lowering the seat.
- 1 electro-mechanical drive for height adjustment of the seat with automatic limit switch-off in the end position.
- 1 non-electric pneumatic control with safety switch

Technical data:

electr. connection: 230 V AC, 200 W

Accessories: see overview sheet 08.03.01 and 08.03.02
special fittings and accessories

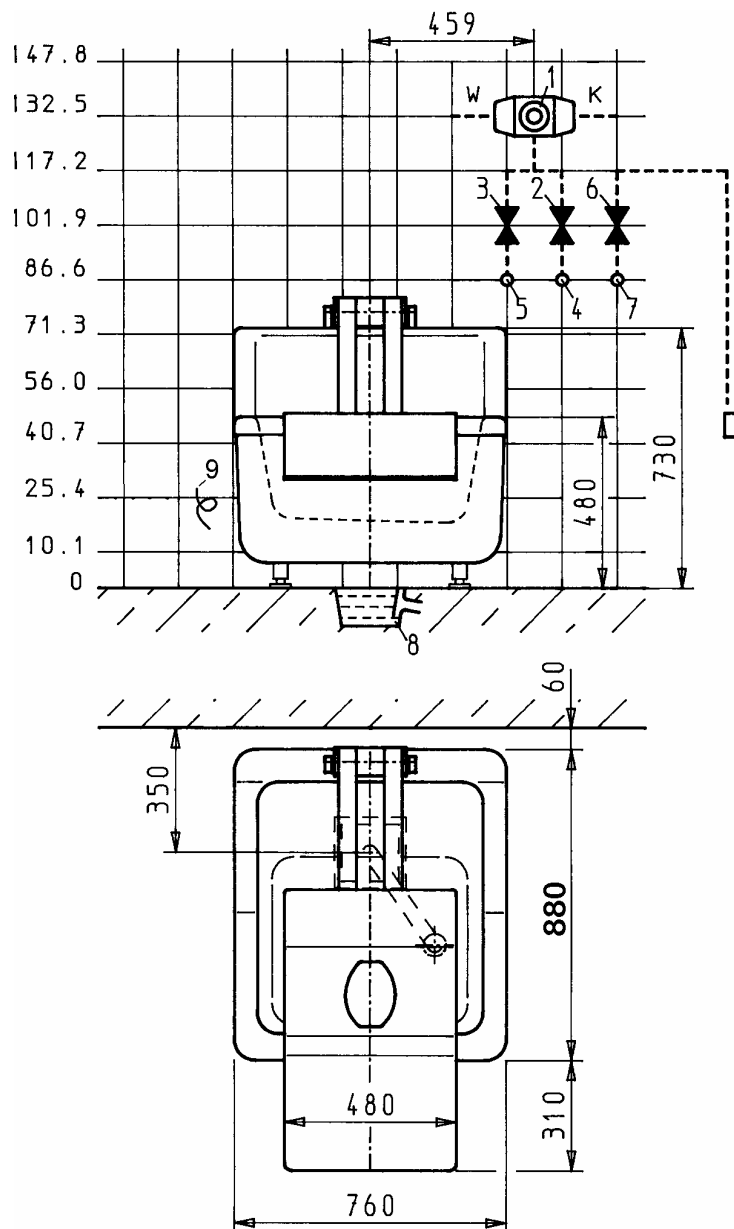
**3**

Technical details subject to change

Trautwein GmbH, 79312 Emmendingen

Tel.: 07641/4677-30 Fax: 07641/4677-70
Internet: <http://www.trautwein-gmbh.com>

08.03.09



hip bath
 model Nürnberg II
 type S-HS-AC
 part-no. AT3115

On-site connections

1. UP thermostat 1/2"
2. UP valve 1/2" (filling)
3. UP valve 1/2" (lower shower)
4. sleeve 1/2" flush with tiles (filling)
5. sleeve 1/2" flush with tiles (lower shower)
6. UP valve 1/2" warm (disinfektion)
7. sleeve 1/2" flush with tiles (central disinfection supply)
8. drainage with odour trap Ø 70
9. electrical connection 230V, 50Hz, 200W,
 cable length 1,5m

On-site safety measures

All-pole circuit breaker within the room. Protection switch, nominal fault current max. 30 mA
 electric installation according DIN IEC/VDE
 weight: 75 Kg

Technical details subject to change

Four-chamber bath
model Wörishofen
type GI-VZ
part-no. AT3081

consisting of:

compact appliance, built-on arm tubs on consoles, cladding with height-adjustable feet and revision doors. Baths and other casing made from reinforced fibreglass plastic, heat and acid-resistant.

Choice of colour according to colour chart.

**3**

Fittings:

- 1 chromium plated thermostatic safety mixing valve 1/2", under plaster, insulated built-in;
- 4 insulated built-in cocks 1/2";
- 2 plastic inlets according DIN 1988 for arm tubs;
- 2 plastic inlets according DIN 1988 for foot tubs;
- 4 plastic standpipes for drainage and overflow 1 1/4";
- 2 hose connections to the armbaths for filling with connector angle pieces, insulated;
- 8 special steel electrodes (patented) material 1.4571, electrolytically polished, detachable, arranged in a sliding way to suit the body, with protective corner profiles made of plastics.

Integrated, micro-processor controlled electrical element, type GI-VZ:

The unit is a compact design, all connections via plug-type connectors.

- Digital numerical indication of current and tension
- Membrane keyboard for simple operation with easily understandable symbols
- 2 functional keys ON (with LED) and OFF

- 4 keys for individually selectable polarity of electrodes (plus, minus, off)
- 1 key for single cell bath BI-POLAR
- 1 key for multiple cell bath MONO-POLAR
- 1 key for pole commutator
- 1 key for galvanic current
- 1 key for faradic current
- 2 keys for galvanic current up and down
- 1 key for start
- 1 LED for malfunction
- 1 LED for loadcontrol

supply voltage 24 V AC
power consumption 80 W
output voltage (galv./imp.) 0-24 V DC / 0-7 V AC
output current (galv./imp.) 0-2 A DC / 0-300mA AC
CE - Sign

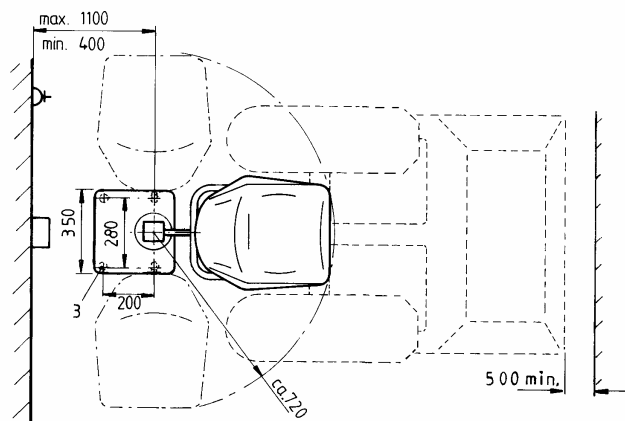
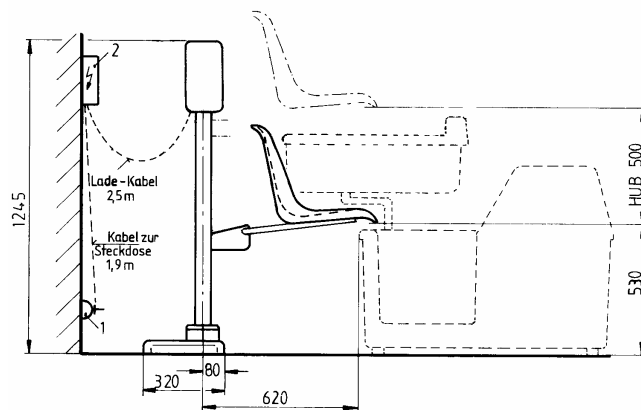
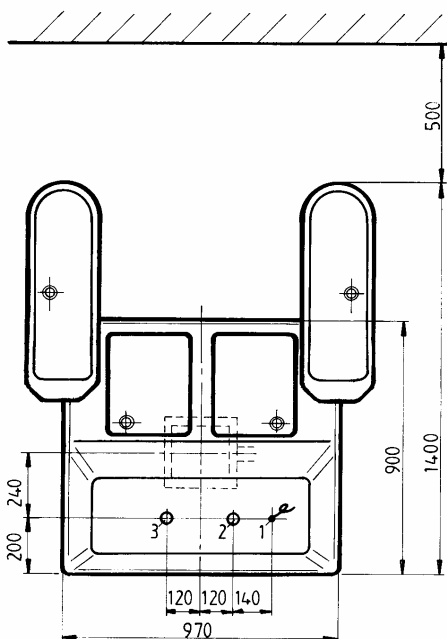
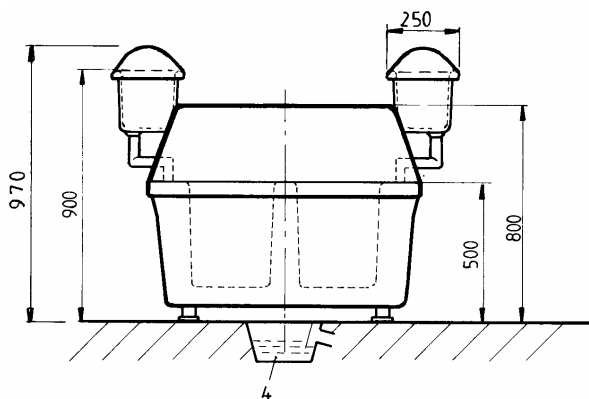
Accessories: see overview sheet 08.03.01 and 08.03.02
special fittings and accessories

Technical details subject to change

Trautwein GmbH, 79312 Emmendingen

Tel.: 07641/4677-30 Fax: 07641/4677-70
Internet: <http://www.trautwein-gmbh.com>

08.03.10



**Four-chamber bath
model Wörishofen
type GI-VZ
part-no. AT3081**

On-site connection (Four-chamber bath)

1. Electr. floor connection 230 V/1/N/SL 50 Hz, 0,1 kW, cable 1,5 mm² 1 m long
2. cold-water sleeve ½" flush with floor
3. warm-water sleeve ½" flush with floor
4. drainage with odour trap Ø 100

On-site safety measures (Four-chamber bath)

stop cock warm and cold water.
All-pole circuit breaker within the room.
Ground fault circuit indicator, nominal fault current max. 30 mA, UB=24 V
Within reach of the tub (2,50 m above, 1,25 m to the side)
no parts, appliances, etc. conducting or connected to earth potential. electric installation according DIN IEC/VDE

Minimum door width: 81 cm
weight: 90 Kg

**Swivel chair adjustable in height
part-no. ZT 3009**

On-site connections (Swivel chair)

1. socket 230 V, 50 Hz, power supply via fuses 16 A, protection switch, nominal fault current max. 30 mA. Max. distance to battery-charger 1,5 m.
2. battery-charger (included)
3. 4 x M10 Upat-anchor UKA 3, bore-hole Ø 10mm x 90mm deep in concrete.

Technical details subject to change

Four-chamber bath
model Wörishofen
type WBS-Automatik
TÜV-GS approved
part-no. AT3090

for automatic controlled contrast arm and foot baths,
consisting of:

compact appliance, built-on arm tubs on consoles,
cladding with height-adjustable feet and revision doors.
Baths and other casing made from reinforced fibreglass
plastic, heat and acid-resistant.
Choice of colour according to colour chart.

Fittings:

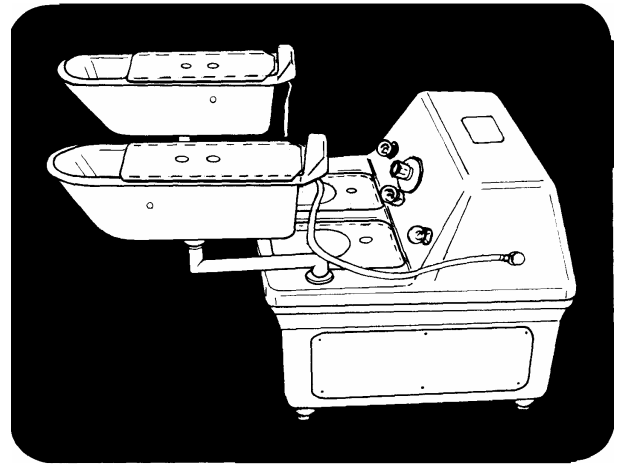
- 1 chromium plated thermostatic safety mixing valve ½",
under plaster;
- 4 filter valves 1 ¼" plastic plated;
- 2 chromium plated valves under plaster ½" for treatment of
arms, legs and foot sole;
- 2 plastic cone-form spray-showers for treatment of the
arms with connection hoses;
- 6 cone-form spray-showers for treatment of the leg and
foot-soles with connection hoses;
- 2 plastic covers as spray protection for arm baths;
- 2 plastic grid for foot tubs including plastic covers as spray
protection;
- 2 magnetic valves ½", 24 V, for cold and warm water
treatment;
- 1 control, 24 V, in iso-casing with separated protection
transformer 230/24 V, 100 VA.

**Integrated electrical element for contrast baths type
WBS**

The unit is a compact design, all connections via plug-type
connectors

- digital indication of the periods of cold and warm water
treatment
- digital indication of the number of contrast changes
- key for cold and warm periods
- key for the number of contrast changes
- functional keys ON (with LED) and OFF
- key for start /stop with LED

Accessories: see overview sheet 08.03.01 and 08.03.02
special fittings and accessories

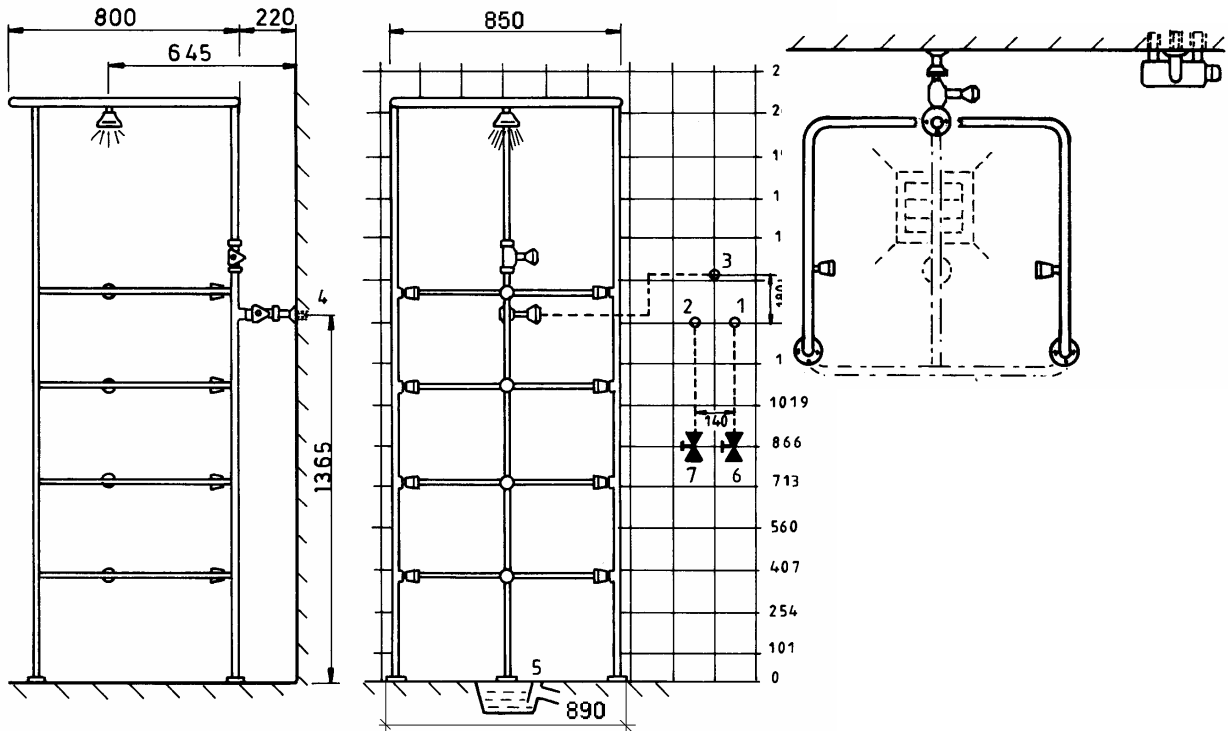
**3**

Technical details subject to change

Trautwein GmbH, 79312 Emmendingen

Tel.: 07641/4677-30 Fax: 07641/4677-70
Internet: <http://www.trautwein-gmbh.com>

08.03.11



3

**Jacket shower
part-no. AT3005**

for connection to on-site mixed water pipes 1" according to our pre-assembly drawing.

Total dimensions:
depth 800 mm, width 820 mm, height 2170 mm

All constructions and water-bearing parts made of stainless steel. Surface in white, electrostatic powder coated.

Fittings:

- 12 shower heads made of plastic, individual adjustable and cut off function
- 1 head spray head Y 120 mm, chromium plated
- 1 stop cock 1"
- 1 stop cock 3/4"
- 1 thermostat 1" upper plaster, chromium plated, with built-in filter and check valves. Wall drainage U-pipe with clock thermometer
- 1 two-piece shower curtain

On-site connections

- 1. cold water sleeve 1" flush with tiles
- 2. warm water sleeve 1" flush with tiles
- 3. mixed water sleeve 5/4" flush with tiles
- 4. sleeve 1" flush with tiles
- 5. drainage Ø 70 mm
- 6. under plaster valve 1" cold (onsite stop cock)
- 7. under plaster valve 1" warm (onsite stop cock)

Technical details subject to change

Trautwein GmbH, 79312 Emmendingen

Tel.: 07641/4677-30 Fax: 07641/4677-70
Internet: <http://www.trautwein-gmbh.com>

08.03.12